



M Series Microwave Trim Installation

www.subzero-wolf.com 800.222.7820

CONVECTION MICROWAVE CONTENTS

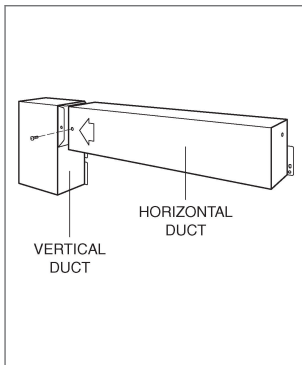
1	Assembly, frame
4	Stud, ball
4	Insert, threaded
3	Assembly, duct (bottom, rear, and top)
1	Template
12	Screw

STANDARD MICROWAVE CONTENTS

1	Assembly, frame
4	Stud, ball
4	Insert, threaded
1	Assembly, duct (bottom)
1	Template
2	Screw

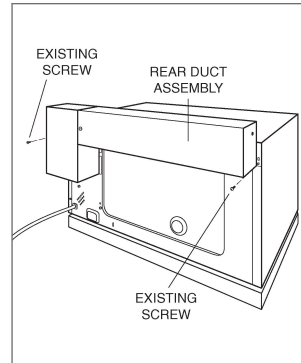
M SERIES MICROWAVE TRIM INSTALLATION

- For a standard microwave proceed to step 7.
- Insert the horizontal duct into the vertical duct to create the rear duct assembly and secure with one screw.

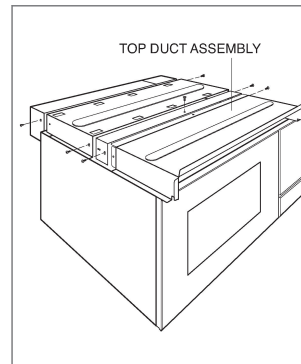


- Remove the existing screws from the upper right and left rear of the microwave.

- Position the rear duct assembly on the microwave and install the screws.

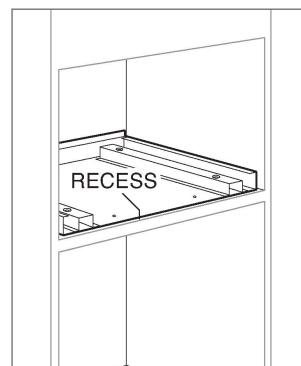


- Position the three remaining duct sections on top of the microwave to create the top duct assembly.
- Secure each section with two screws (one per side) and insert one screw in the top section.



- Install the bottom duct assembly. The duct must be recessed from the front edge of the opening. Refer to the chart below. NOTE: For black trim only, the center of the duct must also be offset $\frac{3}{8}$ " to the right of the centerline of the opening.

Microwave	Recess Depth
Convection	$\frac{3}{4}$ "
Standard	$\frac{1}{8}$ "



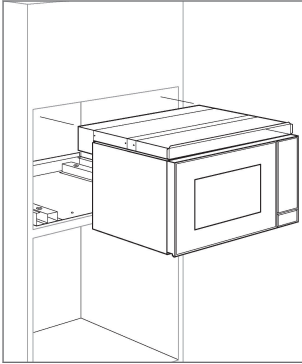


M Series Microwave Trim Installation

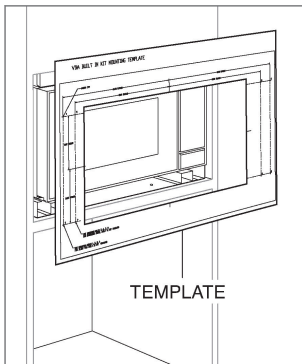
www.subzero-wolf.com 800.222.7820

M Series Microwave Trim Installation (continued)

- 8 Pre-drill pilot holes and secure the duct using two screws.
- 9 Place the microwave close to the cabinet opening and plug the power cord into a properly grounded electrical outlet.
- 10 Place the microwave into the opening and align the feet on the microwave with the bottom duct.



- 11 Align the template with the opening and pre-drill four $\frac{3}{16}$ " or $\frac{7}{32}$ " holes.



- 12 Use a 3 mm hex wrench to install the threaded inserts.
- 13 Install the ball studs into the threaded inserts.
- 14 Align the frame assembly with the opening and press to secure the trim to the ball studs.

