



Dual Fuel Range Knob Installation

wolfappliance.com 800.222.7820

30" RANGE CONTENTS

- 1 Cover, oven selector
- 4 Knob

36" RANGE CONTENTS

- 1 Cover, oven selector
- 8 Knob

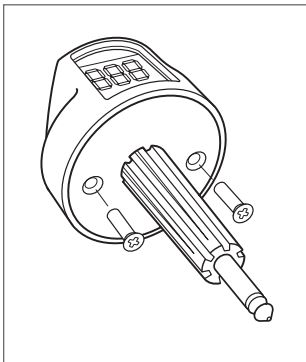
48" / 60" RANGE CONTENTS

- 2 Cover, oven selector
- 11 Knob

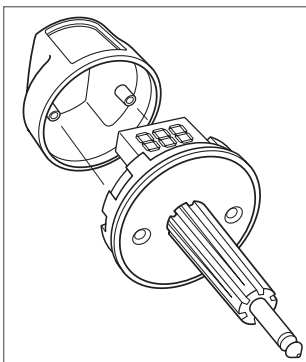
NOTE: Additional knobs may be included but not used.

DUAL FUEL RANGE KNOB INSTALLATION

- 1 For the oven selector knob(s), remove two screws from the back of the knob.

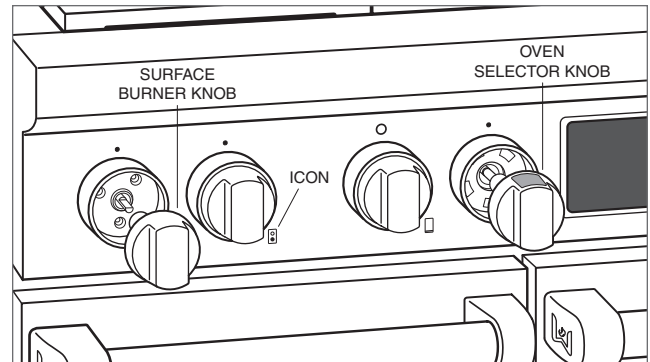


- 2 Remove the existing knob cover and install the new cover.



- 3 Secure the new knob cover with the existing screws.

- 4 Refer to the illustration and chart below to determine the correct knob placement.



KNOB PLACEMENT

ICON	KNOB TEXT
	Hi-Lo / Sim Hi-Lo
	100°F-450°F
	Hi-Lo
	Hi-Lo

INTERNATIONAL (ICB) KNOB PLACEMENT

ICON	KNOB GRAPHICS
	40°C-240°C

