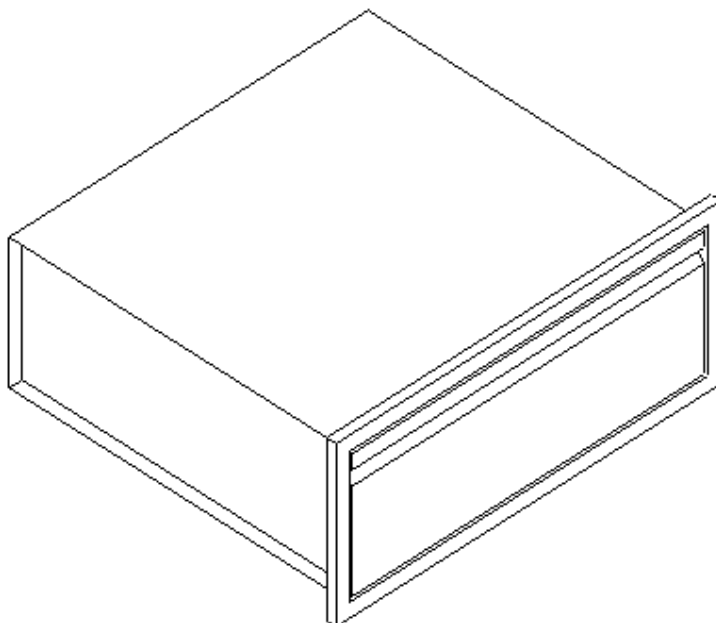


**Wolf Single Storage Drawer****814090****Features:**

- ▼ Stainless Steel Construction
- ▼ Heavy duty, 100 lbs capacity, full extension, self-closing and removable slides
- ▼ Flush non-protruding handle design
- ▼ One-piece mounting frame for precision alignment
- ▼ Extra deep drawer for oversized utensils
- ▼ Easy to install

**Specifications:**

## Overall Dimensions

	814090
Height	: 11.31"
Width	: 30.00"
Depth	: 27"
Ship Weight	: 40 lbs

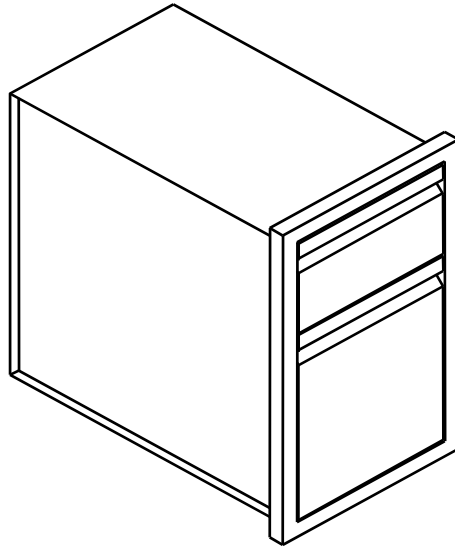
## Cutout Dimensions

	814090
Height	: 9.5"
Width	: 27.25"
Depth	: n/a

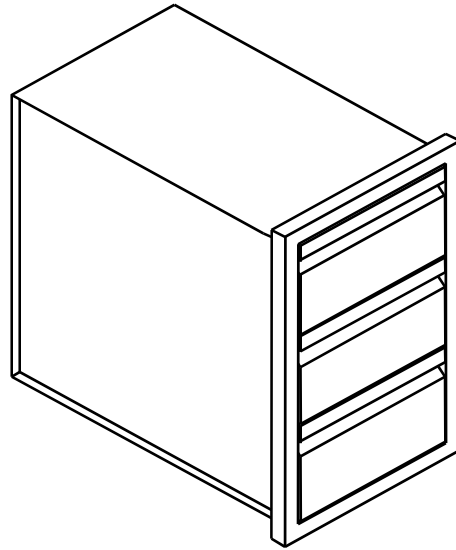


# Storage Drawers

## Wolf Storage Drawers



**814091**



**814092**

### Features:

- ▼ Stainless steel construction
- ▼ Heavy duty, 100 lbs capacity, full extension and removable slides
- ▼ One-piece 18 gauge front frame
- ▼ Extra large drawer
- ▼ Easy to install

### Specifications:

#### Overall Dimensions

	814091	814092
Height	: 20.75"	: 20.75"
Width	: 13.00"	: 13.00"
Depth	: 20.75"	: 20.75"
Ship Weight	: 40 lbs	: 45 lbs

#### Cutout Dimensions

	814091	814092
Height	: 19.00"	: 19.00"
Width	: 12.125"	: 12.125"
Depth	: n/a	: n/a

# WOLF ACCESS DOORS



MODELS: 814805      814806      814087  
 814088      814089

## INSTALLATION INSTRUCTIONS

1. PROVIDE CUT OUT AND DOOR JAMB WITH INSIDE DIMENSIONS AS FOLLOWS:  
 16 1/4 X 19      FOR 814805 & 814806  
 28 1/4 X 19      FOR 814087  
 34 1/4 X 19      FOR 814088  
 40 1/4 X 19      FOR 814089
2. CHECK FITTING OF FRAME AGAINST CUTOUT.
3. SECURE THE STEEL FRAME USING NO. 10 SCREWS
4. ATTACH DOORS TO FRAME (SEE FIG. 1).
5. ADJUST DOOR AS FOLLOWS:

A) FOR HEIGHT ADJUSTMENT, LOOSEN THE TWO SCREWS ATTACHED TO EACH MOUNTING PLATE. ADJUST DOOR AND RETIGHTEN SCREWS (SEE FIGURE A).

B) REMOVE HINGE FROM MOUNTING PLATE AND SECURE MOUNTING PLATE WITH #6 X 1 FLAT PHILLIPS S/S (SEE FIGURE B)

C) FOR SIDE ADJUSTMENT, TURN FRONT SCREW ON DOOR HINGE TO MOVE DOOR SIDWAYS (SEE FIGURE C).

D) FOR DEPTH ADJUSTMENT, TURN REAR SCREW ON DOOR HINGE TO MOVE DOOR BACK AND FORTH (SEE FIGURE D)

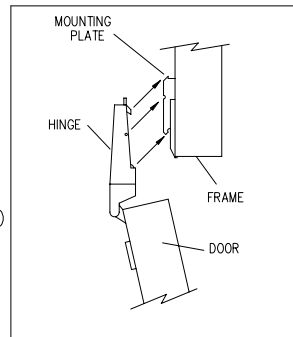
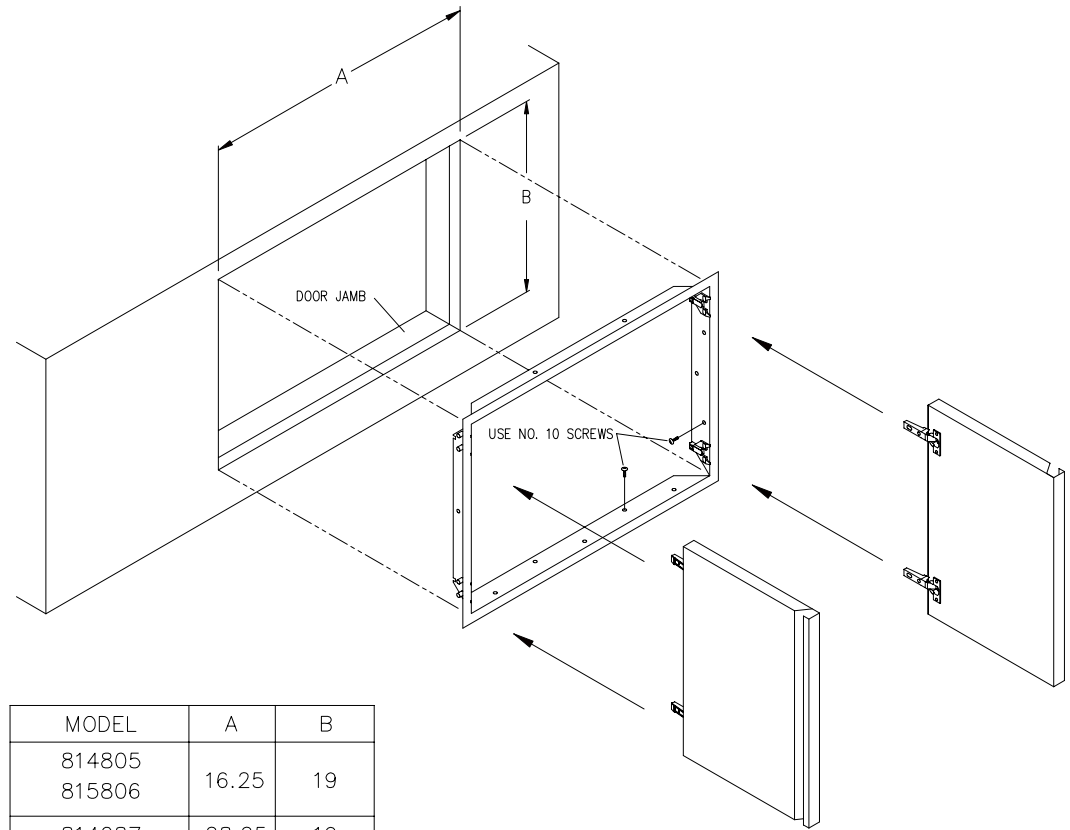


FIG 1

MODEL	A	B
814805	16.25	19
815806		
814087	28.25	19
814088	34.25	19
814089	40.25	19

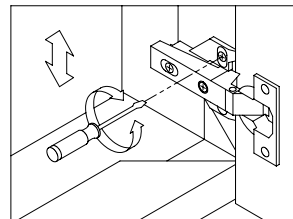


FIG A  
HEIGHT ADJUSTMENT

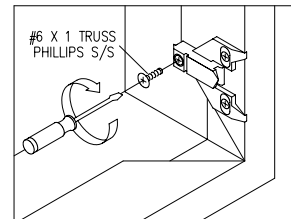


FIG B  
SECURE MOUNTING PLATE

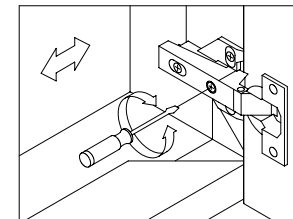


FIG C  
SIDE ADJUSTMENT

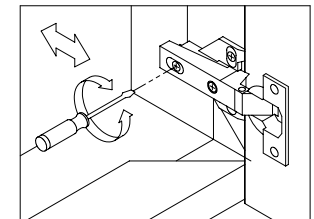
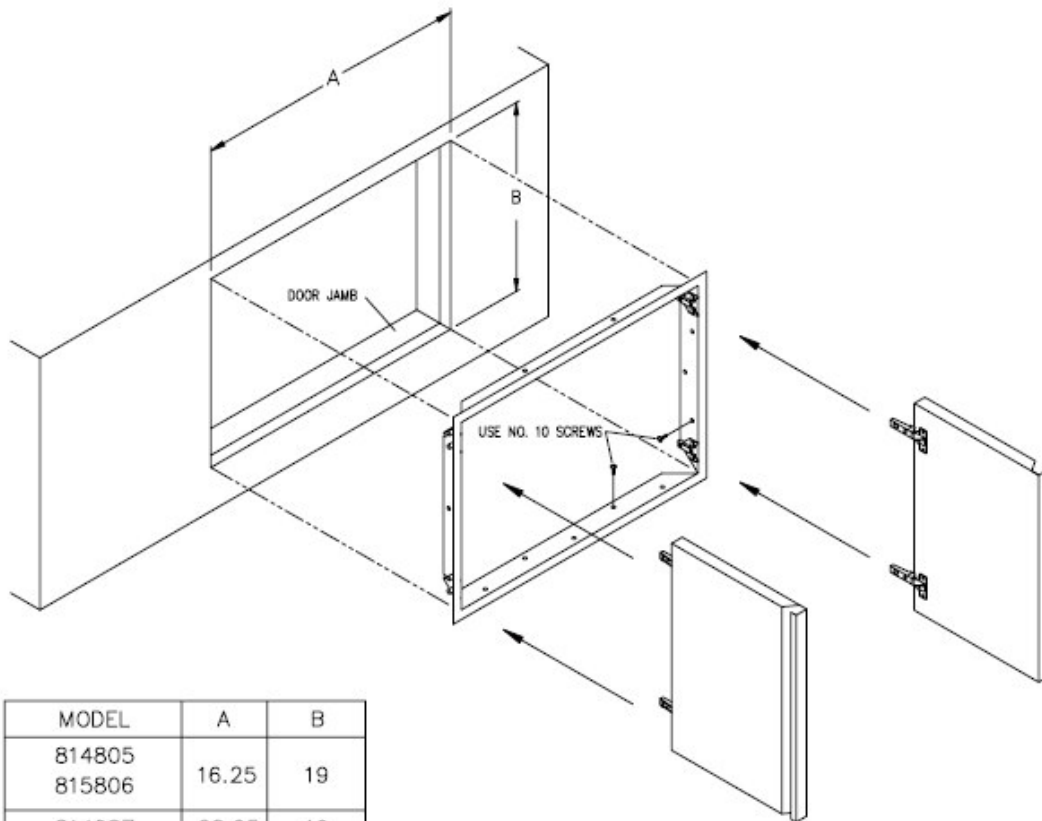


FIG D  
DEPTH ADJUSTMENT



**Supplemental OG Accessory Door Dimensions**



MODEL	A	B
814805	16.25	19
815806		
814087	28.25	19
814088	34.25	19
814089	40.25	19

The overall height of the collar frame is 20.75”.

The overall width of the frame is:

- 814805 and 814806 =18”
- 814087 = 30”
- 814086 = 36”
- 814089 = 42”

For example the overall exterior dimensions of the door frame of an 814087 is: 30” x 20.75”.