



Ventilation Knob Bezel Replacement

wolfappliance.com 800.222.7820

CONTENTS

- 1 Knob bezel

TOOLS REQUIRED

- 1 1/2" socket

RELATED PRODUCTS

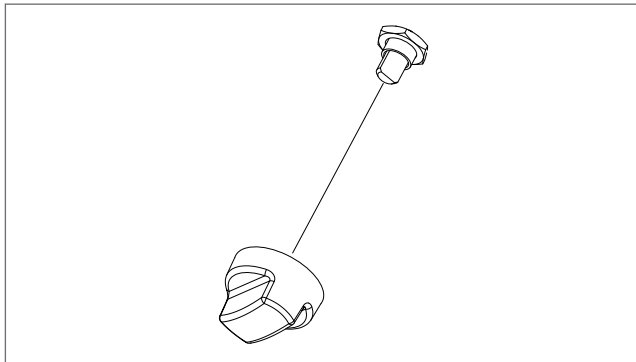
- Pro Hood Liners
- Pro Island Hoods
- Pro Wall Hoods
- Wall Hoods
- ICB Pro Wall Hoods

IMPORTANT NOTE: Products not listed may use different instructions.

REMOVE THE KNOBS

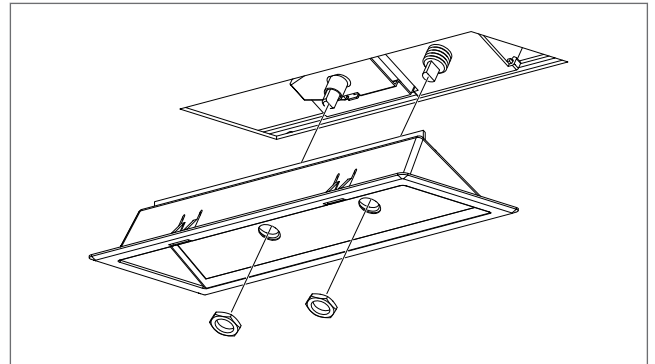
For each knob:

Pull the knob from the shaft.



REMOVE THE KNOB BEZEL

- 1 Use a 1/2" socket to remove the nuts securing the control shafts to the knob bezel.
- 2 Press the knob bezel toward the rear of the unit to disengage the plastic clips securing the knob bezel.
- 3 Rotate the knob bezel downward.
- 4 Remove the knob bezel from the unit.



INSTALL THE KNOB BEZEL

- 1 Press the knob bezel into the unit opening so that the control shafts pass through the holes and the knob bezel's plastic clips engage.
- 2 Use a 1/2" socket to install the nuts securing the control shafts to the knob bezel.

INSTALL THE KNOBS

For each knob:

Push the knob onto the shaft.

