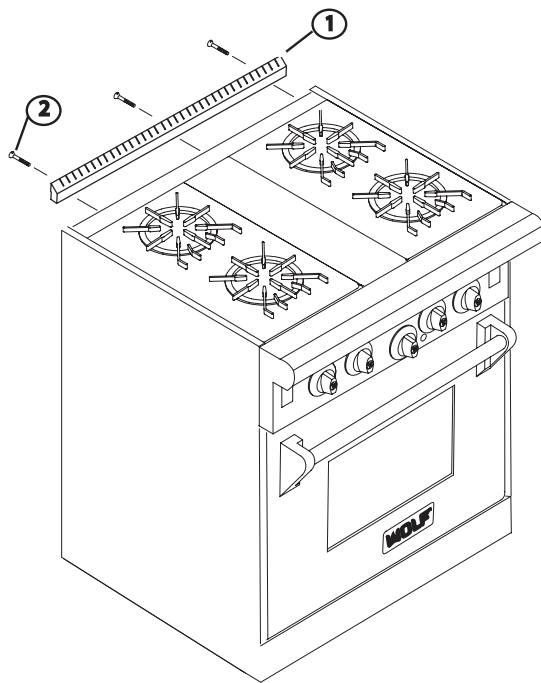


Wolf Island Trim Kit Installation Instructions

ISLAND TRIM KIT PART NUMBERS

- ISLAND-R30 (800025) for 30" Range
- ISLAND-R36 (800026) for 36" Range
- ISLAND-R48 (800027) for 48" Range
- ISLAND-R60 (800028) for 60" Range



MODEL R304 (shown)

ISLAND TRIM INSTALLATION

STEP 1: Locate the island trim (item 1) shipped with kit.

STEP 2: Install island trim kit by extracting existing range screws (item 2 - 730228 - #10-24 x 12" phillips). Slide island trim into back of range aligning existing holes. Reinstall the screws securing the island trim.

