

Wolf Range 5'', 10'' and 20'' Risers Installation Instructions

CONTAINS:

QTY	DESCRIPTION
1	Riser Support Angle, RH
1	Riser Support Angle, LH
1	Riser Front Panel
1	Riser Back Panel

QTY DESCRIPTION

24	Screws, #10
1	Shelf, High Riser, (20'' Risers Only)
1	Installation Instructions

30'', 36'', 48'' and 60'' RANGES:

NOTE: After removing the riser components from the packaging, assemble the components on a protective surface before attaching them to the range.

INSTALLATION PROCEDURE:

1. Lay riser front panel on a protected surface with finished side down.
2. Align left and right hand support angles under the ledge on the back of riser front panel. The thick piece of metal on the support angle should line up with screw holes on front panel.
3. Lay riser back panel on top of riser front panel, lining up screw holes from riser front panel, support angles and riser back panel. The flange at the top of the riser back panel should point towards the front of the unit (See Figure 1).
4. Insert and tighten screws into the holes mentioned above.
5. To attach riser to unit, first remove the top screw, one on each side on back of unit. Then, lower support angles into spaces provided at the top, back of unit. Make sure the flues and range back panel are inside of riser. When positioned correctly, the riser should be flush with the top of range (See Figure 2).
6. Insert screws into back of the range/riser.
7. Remove protective plastic coating from riser front panel.

FOR UNITS WITH A 20'' RISER ONLY:

8. To install the optional shelf, first remove protective plastic coating. Insert flange on the shelf over the front flange of riser.

NOTE: For permanent installation of the shelf, drill six holes into the riser front panel, lining them up with the holes in the shelf.

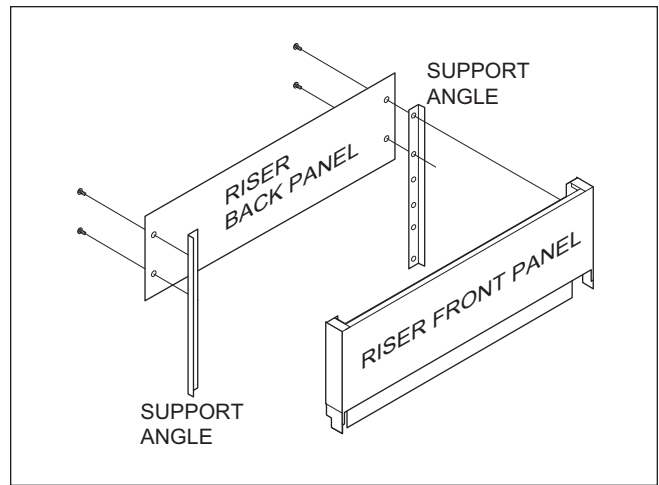


Figure 1. Parts included with Riser (excluding optional shelf)

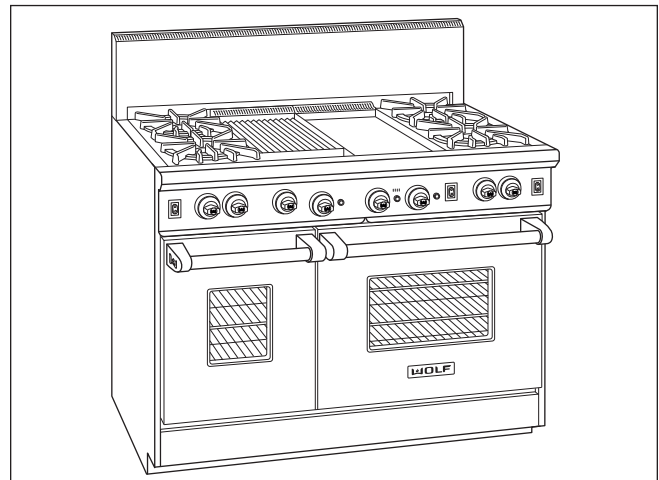


Figure 2. Installed Riser (48'' Range with 10'' Riser shown)