

815896

Wolf Dual Fuel & SRT LP High Altitude Conversion Kit

NOTES:

- For use on the following models starting with serial #17000000: DF304-LP, SRT304-LP, DF366-LP, SRT366-LP, DF364C-LP, SRT364C-LP, DF364G-LP, SRT364G-LP, DF484F-LP, SRT484F-LP, DF484CG-LP, SRT484CG-LP, DF484DG-LP, SRT484DG-LP, DF486C-LP, SRT486C-LP, DF486G-LP, SRT486G-LP, DF606F-LP, DF606CG-LP, DF606DG-LP, DF604CF-LP, DF604GF-LP
- These instructions pertain to the conversion of the above listed conventional LP Gas Wolf Dual Fuel and Sealed Rangetop units to high altitude units - anything between 8,600 and 10,250 feet above sea level.
- Some units may not contain all the burners combinations this package contains conversion components and information for.

TOOLS NEEDED: T-15 Torx Driver, 7mm Nut Driver, Torque Wrench – inch/lbs, Needle-nose Pliers

⚠ WARNING

THIS CONVERSION KIT MUST BE INSTALLED BY A QUALIFIED SERVICE TECHNICIAN IN ACCORDANCE WITH THESE INSTRUCTIONS AND ALL APPLICABLE LOCAL CODES AND REQUIREMENTS. IF THESE INSTRUCTIONS ARE NOT FOLLOWED AS WRITTEN A FIRE, EXPLOSION OR PRODUCTION CARBON MONOXIDE COULD OCCUR CAUSING PROPERTY DAMAGE, PERSONAL INJURY OR DEATH! THE CONVERSION IS NOT COMPLETE UNTIL THE APPLIANCE IS CHECKED FOR PROPER OPERATION AS SPECIFIED IN THESE INSTRUCTIONS.

CONTAINS:

QTY	DESCRIPTION	QTY	DESCRIPTION
6	Orifice, 15K Burner	1	High Altitude Conversion Label
12	6-Lobe Screws	1	High Altitude Conversion Instructions

⚠ WARNING

BEFORE PROCEEDING, SHUT OFF GAS SUPPLY TO APPLIANCE BEFORE DISCONNECTING ELECTRICAL POWER!

INSTALLATION PROCEDURE:

15,000 Btu/hr Orifice Replacement

1. Remove the two T-15, 6-Lobe screws from the 15,000 Btu/hr burner. (See Figure 1)
2. Once screws are removed, gently lift up on burner head. Using a needle nose pliers unplug Electrode and set this aside (placing inside orifice holder helps to keep it in correct relative position).
3. Set burner head aside.

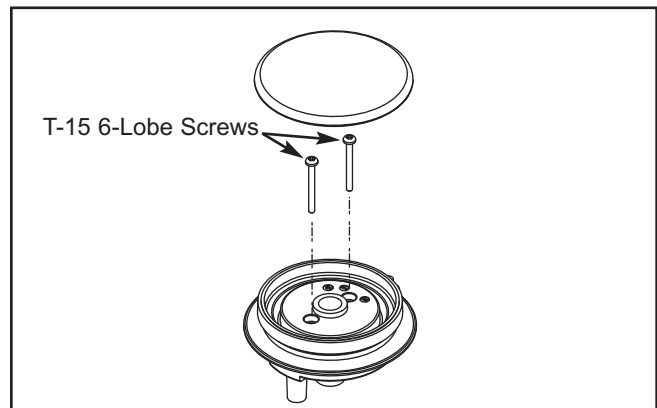


Figure 1. Burner Removal

815896

Wolf Dual Fuel & SRT LP High Altitude Conversion Kit

- Using the 7mm nut driver, remove the main orifice and set aside (See Figure 2).
- Replace the 15,000 Btu/hr main orifice, stamped 119, with orifice stamped 105 from package.
- Re-assemble the burner head by plugging in the electrode and inserting the burner back into the jet holder

NOTE: Watch that the electrode wire does not get caught between the burner and the jet holder. Also make sure the burner is sitting down completely. You may need to pull forward slightly to allow the electrode bracket to clear the burner pan.

- New screws are available in the package if needed. Tighten down the burner head screws to 24 inch-lbs.

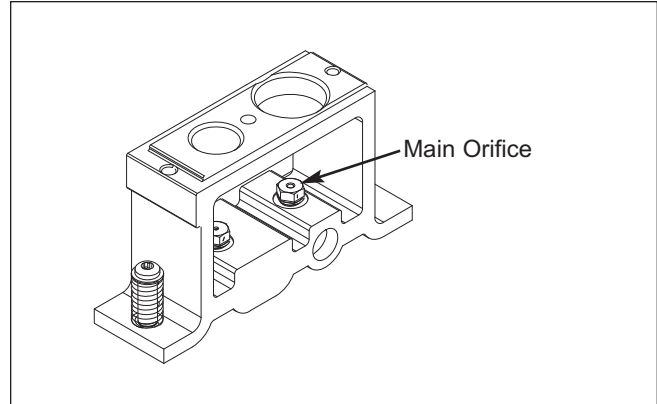


Figure 2.

NOTES:

- Char Broiler and/or Griddle Section:**
The griddle and charbroiler sections of a Dual Fuel Range or SRT require no modifications with the change in altitude due to the design of the infrared burner.
- French Top Section:**
The French Top orifice should be changed to the same orifice used on the high altitude conversion of the 15K burners.

Flame Characteristics:

The flame produced by the burner should be a quiet, blue flame, exhibiting no lifting or blowing. The following illustration shows a desirable flame.

Figure 3 shows a desirable flame.

No modifications should need to be made to the flame, but if the burner is not exhibiting a proper flame and modifications need to be made, the CO level should be monitored at all times during modification.

Ignition System:

If the unit is operating properly after conversion, the burners should ignite within 4 seconds of the gas flowing out of the burner ports. If the flame is extinguished, the unit should also automatically re-ignite within 4 seconds. When the burner is operating correctly, with a proper, hard flame, the unit should not be sparking.

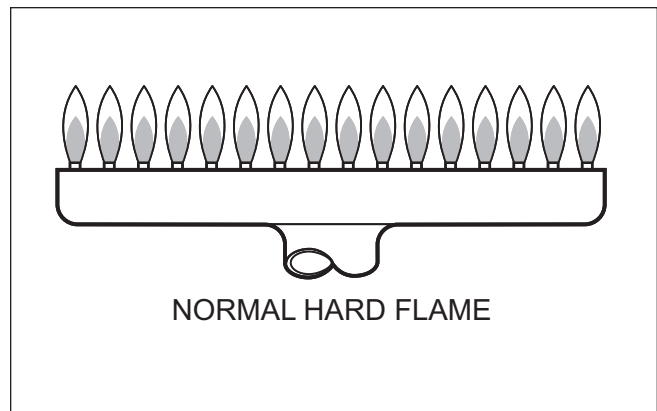


Figure 3.

Leak Testing:

With all orifices converted, apply soapy water to all joints and fittings. Turn on all burners and check thoroughly for leaks. Then turn off all the burners and recheck for leaks.

Labels:

Once installation of all orifices is complete, and all the appropriate tests have been satisfied, fill out all applicable information and affix the High Altitude Gas Cooktop Rating Label as close as possible to the existing rating plate.