

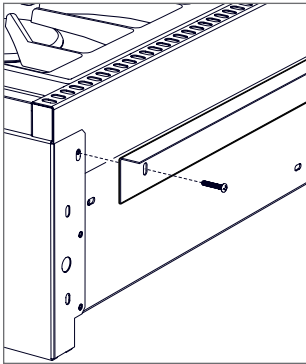
Contents

TRIM INSTALLATION KIT

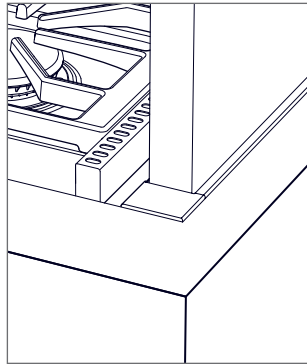
1	Trim
1	Instructions

TRIM INSTALLATION

- 1 Remove the top two screws from the back of the rangetop.
- 2 Install the trim using the existing screws.
- 3 Slide the rangetop into the opening until the trim properly aligns with the downdraft.



Install trim.



Position rangetop.

