

# WOLF WARMING DRAWER INTEGRATED FRONT PANEL KIT (802727) INSTALLATION INSTRUCTIONS

The Wolf Warming Drawer Model WD30 can be installed above or below a single wall oven SO30F/S, SO30U/B, SO30U/P or SO30U/S or below a cooktop CT36E/S, CT36E/B, CT36E/P, CT36G/S, or CT36G/P. Please refer to installation instructions provided with cooktops for additional installation information.

The Wolf Warming Drawer can also be installed next to or above another Wolf Warming Drawer.

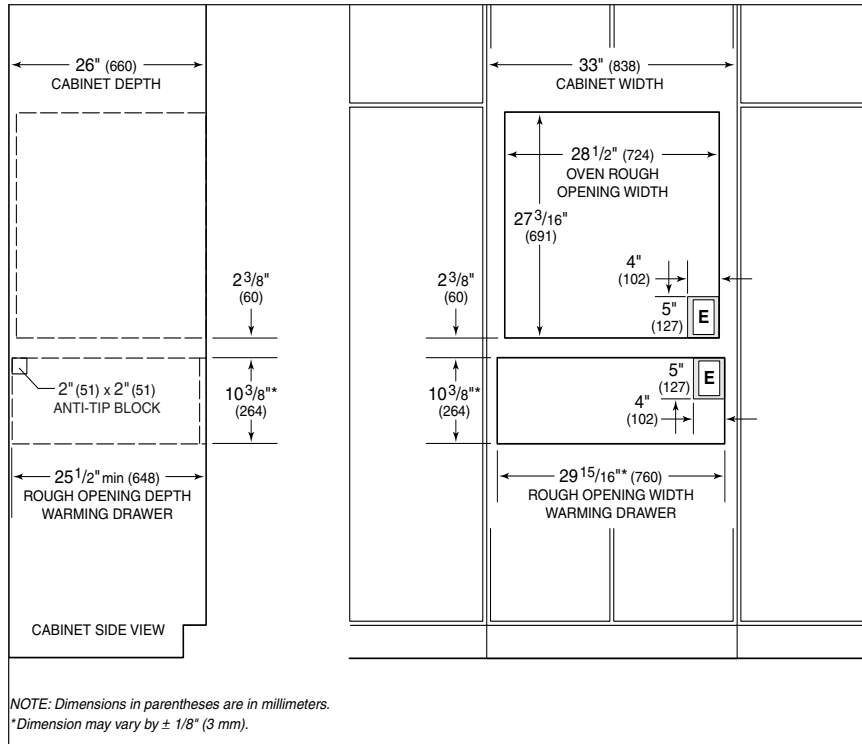
**IMPORTANT NOTE:** This Front Panel Kit is designed for and approved only for use with Wolf Warming Drawer WD30.

- Integrated Front Panel Kit (802727) Contains:
  - (1) Front Panel (802598)
  - (1) Condensation Trap (805553)
  - (2) Pem Nuts (805551)
  - (10) 8-18 x 3/8" Long Screws

**IMPORTANT NOTE:** Please read these instructions carefully before beginning installation. Follow all applicable regulations and guidelines specified in the Wolf Warming Drawer Installation Guide that accompanies the Wolf Warming Drawer.

**Install Warming Drawer:**

**IMPORTANT NOTE:** There are significant differences in the cabinet requirements when installing a Wolf Integrated Front with a Wolf Warming Drawer. Overall cabinet width and depth greatly impacted as specifications are much different that Warming Drawer with a Stainless Steel front.



**Tools and Materials Required:**

- Wood screws or other hardware for installing runners or shelf to support warming drawer and mount front support framing to cabinet
- 2" x 4" or 2" x 2" (51 x 102 or 51 x 51) lumber for runners
- 2" x 4" or 2" x 2" (51 x 102 or 51 x 51) wood block for anti-tip.
- Lumber for front support framing
- Decorative wood front panel
- Saw
- Level
- Drill and 1/16" bit
- Phillips screwdriver

# WOLF WARMING DRAWER INTEGRATED FRONT PANEL KIT INSTALLATION INSTRUCTIONS

Runners must be level, rigidly mounted and capable of supporting 175 pounds (79kg).

Decorative wood front panel should be a minimum of 1/2"(13) thick.

Follow Wolf Warming Drawer Installation Instructions to Remove Packaging, Electrical Requirements and Grounding the Warming Drawer.

**The cabinet for the warming drawer must be:**

- Depth: 26"
- Width: 33"

**The opening for the warming drawer must be:**

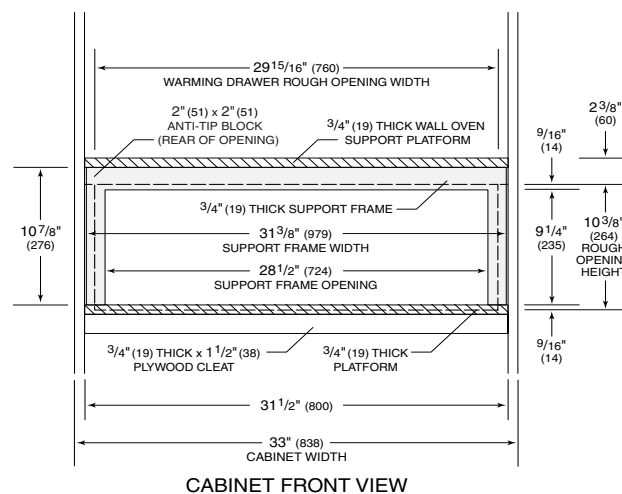
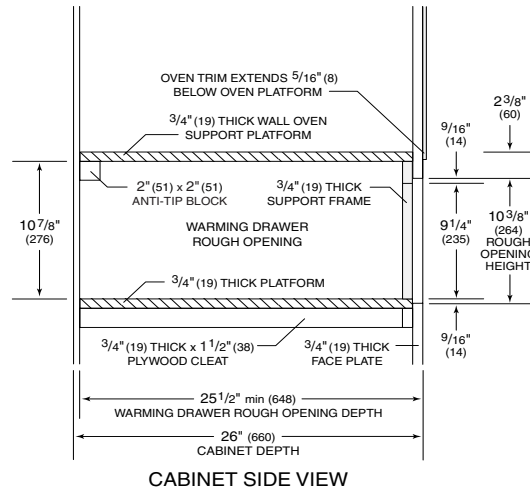
- Depth: 25-1/2"(648) minimum from inside back to front of cabinet frame.
- Width: 29-15/16"(760)
- Height: 10-3/8"(263)
- If installed under a wall oven: Allow a 2-3/8"(60) minimum between oven and drawer cutouts for clearance of overlaps.
- If installed above a wall oven: Allow a 2"(51) minimum between oven and drawer cutouts for clearance of overlaps. Floor must be able to support 175 pounds (79kg).

**The support frame:**

- Width: 31-3/8"(797)
- Height: 10-7/8"(276)
- Thickness: 3/4"(19)

**The support frame cut-out:**

- Width: 28-1/2"(724)
- Height: 9-1/4"(235)



**IMPORTANT NOTE:** If you are installing the warming drawer in a frameless cabinet, it may be necessary to install 1/2"(13) wide cleats to accept drawer mounting screws. See drawer for mounting hole locations.

**Cabinet Support:**

**IMPORTANT NOTE:** When installed in combination with a single oven, check to be certain that any oven supports near the cutout do not obstruct the 26" required cabinet depth of the warming drawer cutout.

- A 2-3/8"(60) minimum clearance between oven and warming drawer cutouts are required. Additional clearance may be required if 2" x 4"(51 x 102) blocks are used to support runners or solid floor of the oven above.
- The warmer drawer may be supported by either a solid bottom, 2" x 4" or 2" x 2"(51 x 102 or 51 x 51) runners.
- The support must be level, there is no way to level the drawer once it is installed.
- The entire weight of the drawer is supported by the runners or solid floor and must be capable of supporting 175 pounds (79kg).

# WOLF WARMING DRAWER INTEGRATED FRONT PANEL KIT INSTALLATION INSTRUCTIONS

## Installation Procedures:

**▲ CAUTION**  
*Anti-tip Precautions: An anti-tip block must be installed to prevent the warming drawer from tipping forward when opened. Failure to do so could result in personal injury.*

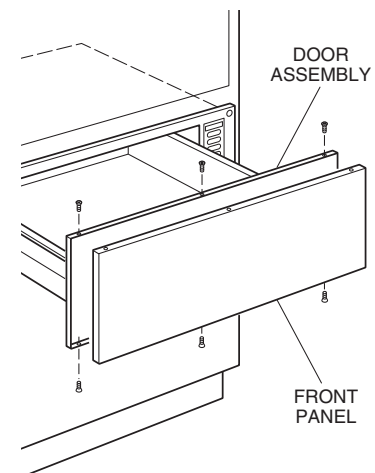
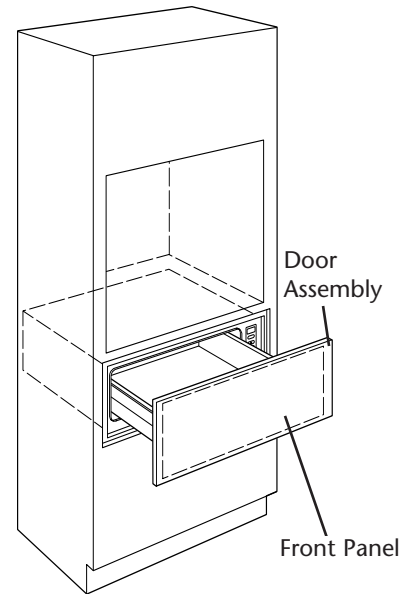
### Step 1:

- Install 2" x 4" or 2" x 2"(51 x 102 or 51 x 51) anti-tip block against rear cabinet wall, measuring 9-1/4"(235) from floor of cutout to the bottom of the block.
- Install front support framing around cabinet opening of 10-3/8" (263). Framing must be a minimum of 9-1/4"(235) opening to allow for the warmer drawer installation.
- Front support framing must be a minimum of 3/4"(19) thick.
- Mount front support frame securely to cabinet.

### Step 2:

- Slide left corner of the drawer into the opening.
- If the outlet is in an adjacent cabinet, push power cord into the hole leading to the outlet location. **PLEASE NOTE:** Check to be certain the power cord does not get trapped under the drawer. Thread the cord through the hole as you push back the drawer into the opening. You must follow all National and/or Local Electric Code Regulations.
- Turn power off to wall receptacle.
- If the outlet is installed in the opening, plug the cord into the outlet. Coil the power cord and secure the power cord to the side of the warming drawer with the power cord clip.
- Push the drawer back until the front flange is flush with the front support frame.
- Open the drawer fully.
- Drill pilot holes through the holes in the overlapping frame, one on each corner.

- Drive wood screws provided with the Warming Drawer into the four holes.
- Install Front Panel.
- Turn power back on to wall receptical.



# WOLF WARMING DRAWER INTEGRATED FRONT PANEL KIT INSTALLATION INSTRUCTIONS

## Install Front Panel and Condensation Trap:

1. Remove two mounting nuts from Wolf Warming Drawer door front and discard nuts and lockwashers. DO NOT DISCARD Warming Drawer vent spacer.

2. Align condensation trap with mounting holes on Warming Drawer door front. Install condensation trap over vent spacer with pem nuts supplied. Make sure that spacer slots align with drawer slots for proper ventilation.

3. Make sure that Warming Drawer Moisture Select Lever located on inside of door front moves freely. If Moisture Select Lever does not move freely, readjust pem nuts used to install condensation trap.

4. Install integrated front panel by sliding top lip of front panel over Warming Drawer door front.

5. Insert three (3) screws in top of front panel lip through door frame assembly. Use screwdriver to tighten screws.

6. Insert three (3) screws in bottom of front panel through door frame assembly. Use screwdriver to tighten screws.

