

WOLF WARMING DRAWER PAN SET

INSTALLATION INSTRUCTIONS AND USE AND CARE

Warming Drawer Pan Set Model Number

¥ WDCONTAINERS (802633)

¥ Warming Drawer Pan Set

Contains:

- (2) Side-to-side support rails (long)
- (2) Front-to-back support rails (short)
- (1) Filler panel
- (1) Full size pan with lid, 21" x 13" x 4"
- (2) Half size pans with lids, 21" x 6-1/2" x 4" each
- (2) Quarter size pans with lids, 10-1/2" x 6-1/2" x 4" each

Install Warming Drawer Pan Set

IMPORTANT NOTE

Set includes extra pans for a variety of combinations. Not all pans will fit in the Wolf Warming Drawer at one time.

1. Remove protective packaging from side-to-side support rails.
2. Completely open Warming Drawer fully and remove warming drawer rack.
3. Install front side-to-side support rail by installing large tab into large slot on left front slot and small tab on right front slot of warming drawer interior pan. Make sure that tab size and slot size are proportional.

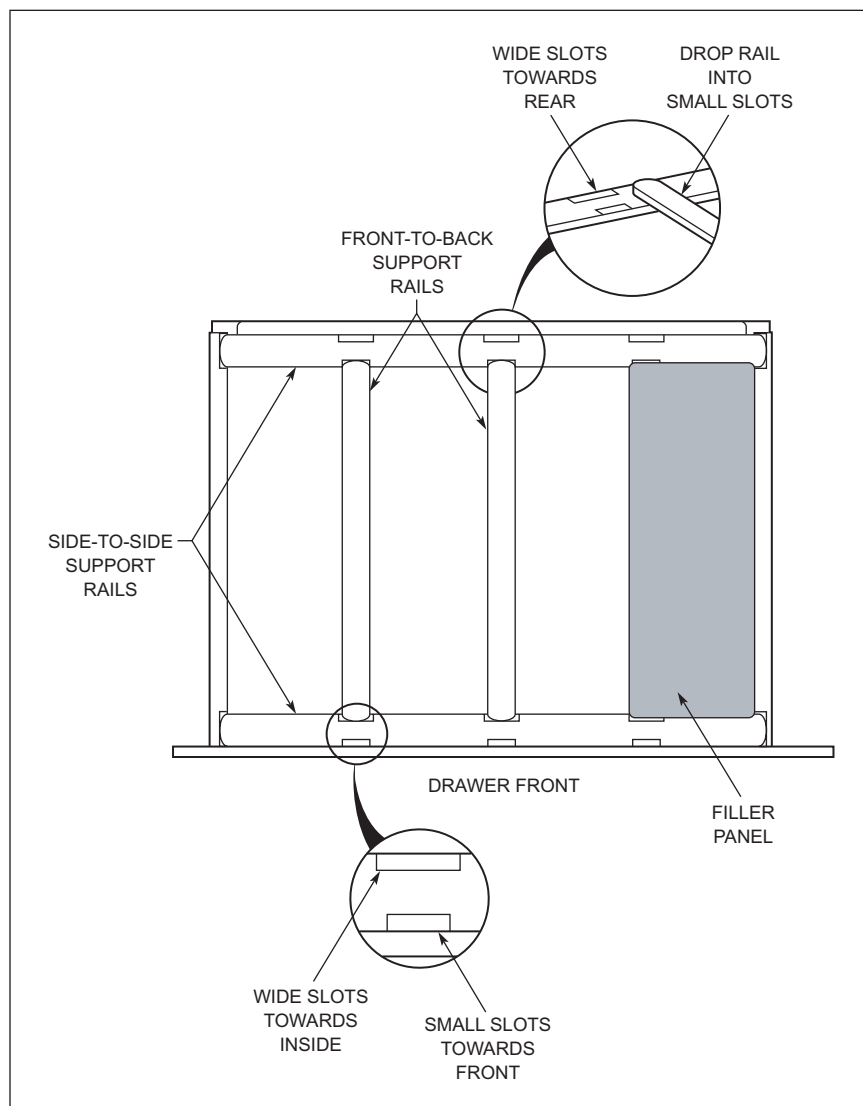


Illustration 1

WOLF WARMING DRAWER PAN SET

INSTALLATION INSTRUCTIONS AND USE AND CARE

4. Install rear side-to-side support rail in the rear slots of warming drawer interior pan by following Step #3. Make sure that tab size and slot size are proportional.
5. Remove protective packaging from front-to-back support rails.
6. Install front-to-back support rails by sliding small tab into rear side-to-side support rail and large tab into front side-to-side support rail. Make sure that the tab size and slot size are proportional.

NOTE: Placement of front-to-back support rails is dependent upon pan needs. Refer to Illustration 2 to determine rail location and pan installation combinations.

7. Place filler panel on right side of support rail assembly. Insert large tab into large slot on front side-to-side support rail and small tab into small slot on rear side-to-side support rail.
8. Arrange pans to suit food storage needs.

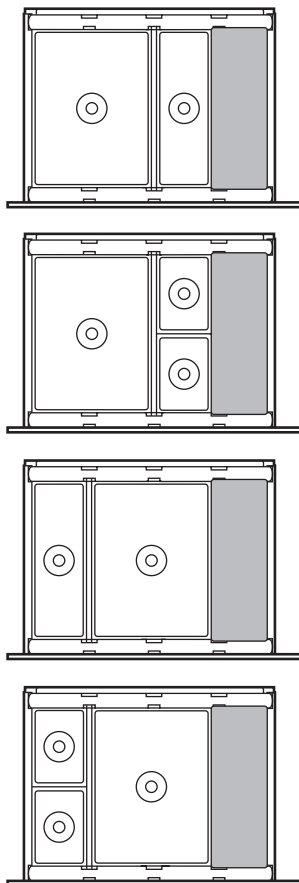
⚠ CAUTION

Use caution before touching Warming Drawer pans and/or lids; be sure that the surfaces have cooled to a safe temperature to avoid steam burns.

⚠ CAUTION

Use dry pot holder when handling as pan lids become hot when Warming Drawer is on and holds heat after turned off.

COMBINATIONS WITH FULL SIZE PAN



COMBINATIONS WITHOUT FULL SIZE PAN

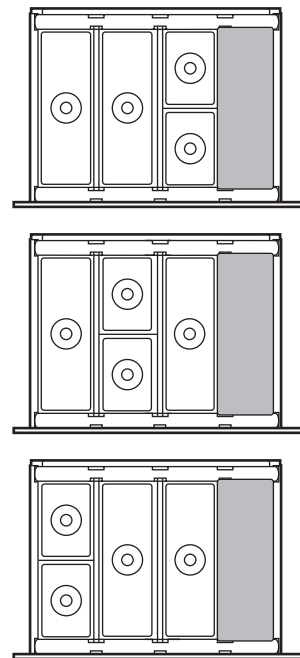


Illustration 2

Use and Care for Warming Drawer Pan Set

Before using your warming drawer pan set, clean pans thoroughly with hot water and a mild detergent. Rinse and dry with a soft cloth.

Use the pan lids to keep moist foods moist. Lids will also keep excessive moisture from building up on interior and exterior surfaces of warming drawer.

Do not use plastic wrap to cover hot pans in the warming drawer. Plastic wrap could melt and damage the interior of your Wolf Warming Drawer.

IMPORTANT NOTE:

Never leave food in warming drawer for more than two hours.

