

INSTALLATION INSTRUCTIONS

STEP ONE –

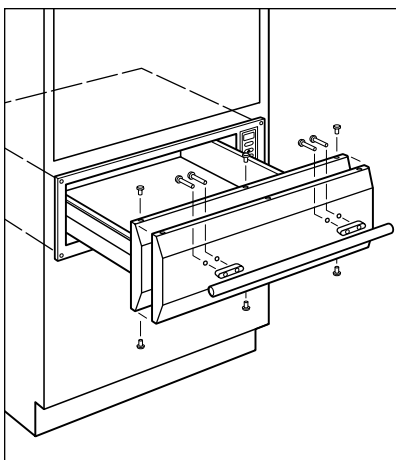
Installing Wolf Handle to Front Panel:

- Remove all packaging materials surrounding the front panel, handle assembly and trim kit.
- Gently remove the protective covering from the stainless steel front panel or integrated front panel. The adhesive protective covering should peel away from the surface cleanly, but if some residue remains clean surface with a mild detergent.
- Lay front panel on its back surface.
- Line up handle assembly and stand-offs. Insert handle screws through holes on front panel. Tighten handle assembly screws to front panel.

STEP TWO –

Installing Front Panel to Drawer Front:

- Slide top lip of front panel over Warming Drawer door front.
- Insert three (3) screws in top of front panel lip through door frame assembly. Use screwdriver to tighten screws.
- Insert three (3) screws in bottom of front panel through door frame assembly. Use screwdriver to tighten screws.



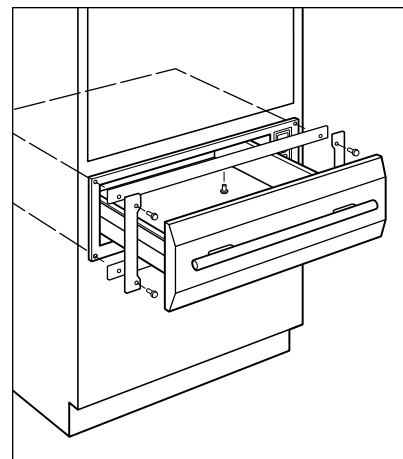
Warming drawer handle and front panel installation

STEP THREE –

Installing Wolf Trim to Warming Drawer Front:

- Align side trim and warming drawer front plate. Verify hole location from trim corresponds to pre-drilled hole location on warming drawer front plate.
- Drill through template holes provided on front plate through cabinet.

- Align side trim and top trim in upper corner. Insert color coordinated screw through trim hole. Verify that your screw will hold both pieces of trim – side trim and top trim.
- Continue installation of trim to next corner. Align side trim and top trim in corner. Insert color coordinated screw through trim hole. Verify that your screw holds both pieces of trim – side trim and top trim.
- Proceed to bottom trim installation. Align side trim and bottom trim in corner. Insert color coordinated screw through trim hole. Verify that your screw holds both pieces of trim – side trim and bottom trim. Continue to remaining corner.
- Once all corners have been installed. Screw in remaining screws, one along bottom edge of top trim and the other along top edge of bottom trim. This will keep your trim secure and prevent sagging or damage.



Warming drawer trim installation

