

BI-36UFD/S



FEATURES

- Monitor and control remotely with Wi-Fi connectivity
- Preserves refrigerated foods with cool, moist air and frozen foods with frigid, dry air
- Fight spoilage and odors with a NASA-inspired air purification system
- Locks in cold air to ensure freshness with magnetic door seals
- Keeps produce fresher with high-humidity, sealed crisper and deli drawers
- Controls temperature within one degree of setpoint
- Filters ice, removing contaminants, chlorine taste, and odor
- Yields ice automatically and "max ice" for additional production
- Ensures excellent visibility with bright lights
- Refer to freshness cards for tips on food preservation, use, and care

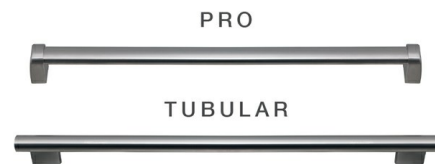
ACCESSORIES

- 90° Door Stop
- Air Purification Cartridge
- Egg Container
- Legacy 36" Stainless Steel Kickplate
- Legacy 45 3/16" Pro Handle
- Legacy Grille Frame - 84"
- Legacy Pro Handle
- Legacy Stainless Steel Pro Louvered Grille - 84"
- Legacy Stainless Steel Side Panel
- Stainless Steel Pro Louvered Grille - 83"
- Stainless Steel Pro Louvered Grille - 88"
- Water Filter
- Water Filter
- White Side Panel
- Stainless Steel Pro Handles

Accessories are available through an authorized dealer.
For local dealer information, visit subzero-wolf.com/locator.



HANDLE OPTIONS



PRODUCT DETAILS

REFRIGERATOR

- 1 high-humidity crisper drawer with adjustable dividers
- 1 refrigerator storage drawers with adjustable dividers
- 2 adjustable dairy compartments
- 4 glass refrigerator shelves (3 adjustable; 1 stationary)
- 5 door bins (3 adjustable; 2 stationary)
- LED refrigerator and freezer lights

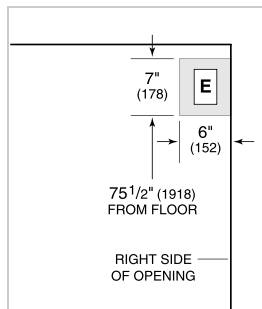
FREEZER

- 1 full-extension roll-out freezer drawer
- Automatic ice maker with removable ice container

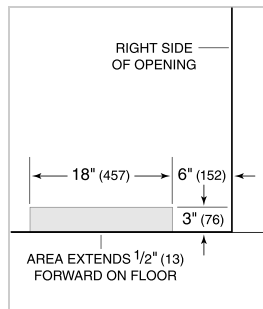
PRODUCT SPECIFICATIONS

Model	BI-36UFD/S
Dimensions	36"W x 84"H x 24"D
Refrigerator Capacity	15.7 cu. ft.
Freezer Capacity	5.3 cu. ft.
Electrical Supply	115 VAC, 60 Hz
Electrical Service	15 amp dedicated circuit
Plumbing Supply	1/4" OD copper, braided stainless steel or PEX tubing
Plumbing Pressure	35–120 psi
Receptacle	3-prong grounding-type

ELECTRICAL

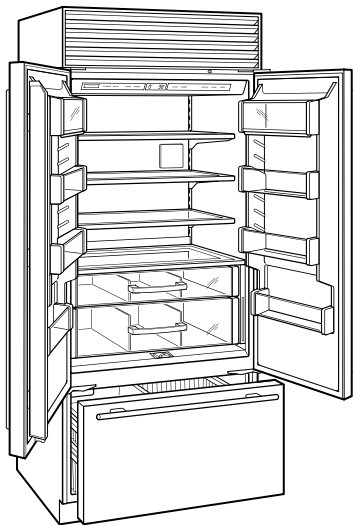


PLUMBING



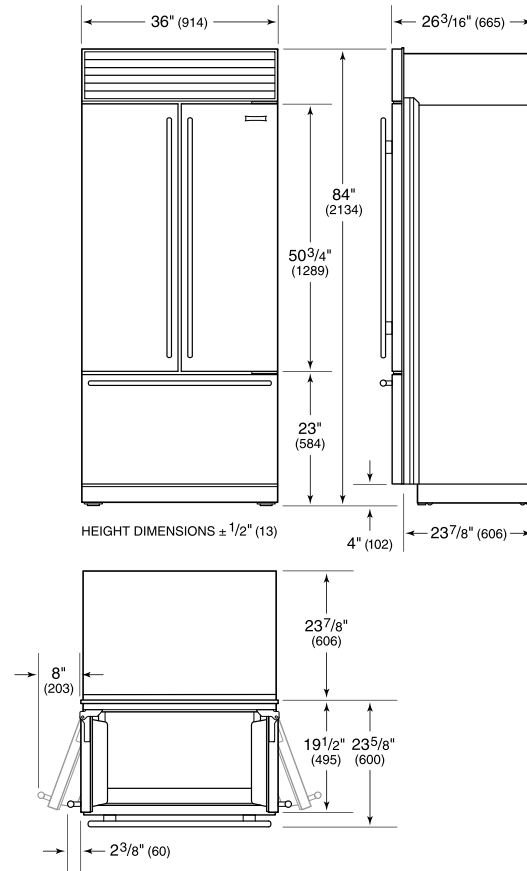
NOTE: Dimensions in parenthesis are in millimeters unless otherwise specified

INTERIOR VIEW

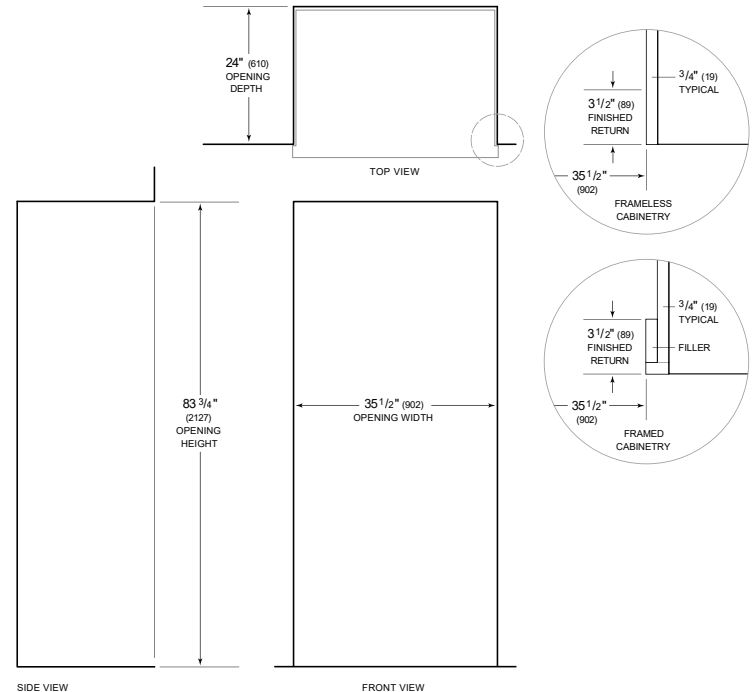


This illustration is intended for interior reference only and may not represent the exterior of the model being specified.

DIMENSIONS



STANDARD INSTALLATION



NOTE: 3 1/2" (89) finished returns will be visible and should be finished to match cabinetry. Shaded line represents profile of unit.