

ID-24RO



## FEATURES

Controls temperature within one degree of setpoint

Assure maximum freshness with low-temp, high-humidity crisper and deli drawers

Locks in cold air to ensure freshness with magnetic door seals

Control brightness with soft-on LED lighting

Open and close doors silently with soft-close technology

Order accessory panels with or without locks to secure contents

Accepts outdoor-rated stainless steel accessory panels and handles to coordinate other Sub-Zero and Wolf outdoor appliances

## ACCESSORIES

Dual Installation Kit

Outdoor Stainless Steel Drawer Panels With Pro Handle

Outdoor Stainless Steel Drawer Panels with Lock

Reduced Toekick Divider

Accessories are available through an authorized dealer.  
For local dealer information, visit [subzero-wolf.com/locator](https://subzero-wolf.com/locator).



## PRODUCT DETAILS

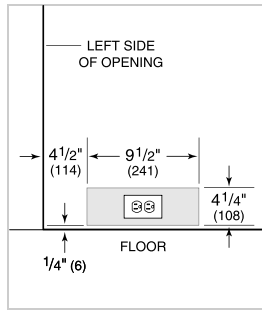
### REFRIGERATOR

- Adjustable drawer dividers
- LED lighting

**PRODUCT SPECIFICATIONS**

Model	ID-24RO
Dimensions	24"W x 34 1/2"H x 24"D
Refrigerator Capacity	4 cu. ft.
Weight	185 lbs
Electrical Supply	115 VAC, 60 Hz
Electrical Service	15 amp dedicated circuit
Receptacle	3-prong grounding-type, GFCI

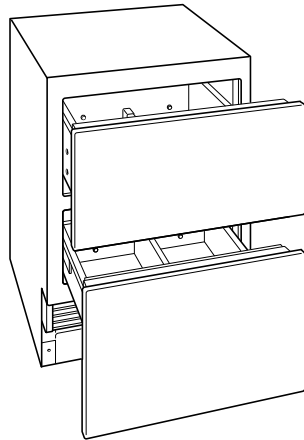
**ELECTRICAL**



**NOTE:** The electrical outlet must be positioned with the grounding prong to the right of the thinner blades.

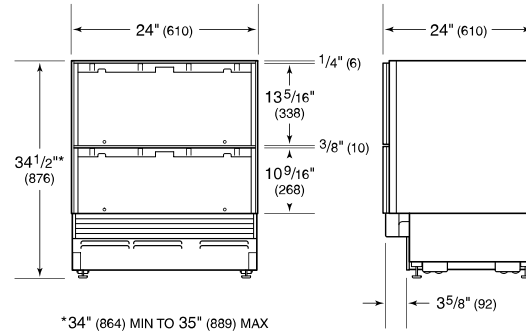
**NOTE:** Dimensions in parenthesis are in millimeters unless otherwise specified

**INTERIOR VIEW**

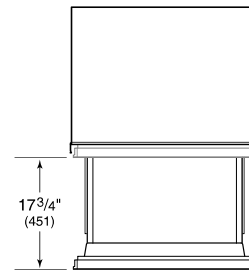


This illustration is intended for interior reference only and may not represent the exterior of the model being specified.

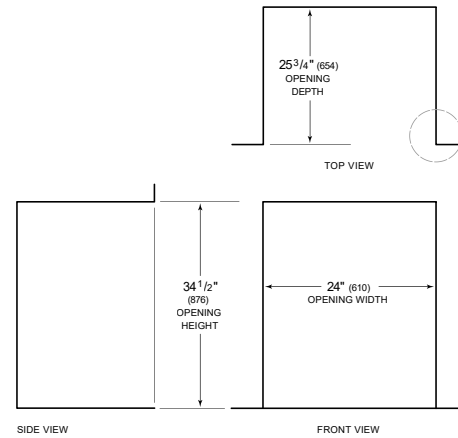
**DIMENSIONS**



\*34" (864) MIN TO 35" (889) MAX



**STANDARD INSTALLATION**



**NOTE:** 4 1/2" (114) finished returns will be visible and should be finished to match cabinet.

