

## 648PRO



## FEATURES

This is a legacy model. For the most up-to-date features and benefits, consider the newest model offering (found on our product search page).

Install directly within surrounding cabinetry for built-in, or add accessory panels for freestanding

Makes an iconic stainless-steel statement, inside and out

Preserves refrigerated foods with cool, moist air and frozen foods with frigid, dry air

Locks in temperature and humidity with soft-close door hinge and magnetic seal on doors and drawers

Controls temperature within one degree of setpoint

Automatic ice maker with advanced water filtration system

Control brightness with soft-on LED lighting

## ACCESSORIES

Egg Container

Kickplate Set

Refrigerator Drawer Dividers

Stainless Steel Side Panel

Stainless Steel Slide-Out Bin

Top Panel

Water Filter

Water Filter

Accessories are available through an authorized dealer. For local dealer information, visit [subzero-wolf.com/locator](http://subzero-wolf.com/locator).



## PRODUCT DETAILS

## REFRIGERATOR

- LED side lights
- 4 glass refrigerator shelves (3 adjustable; 1 stationary)
- 1 glass crisper lid
- 2 stainless-steel slide-out bins
- 2 freezer drawers with adjustable dividers

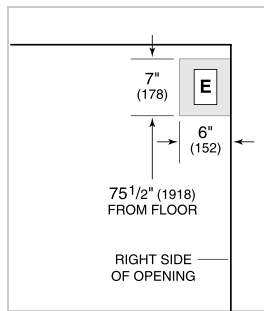
## FREEZER

- 4 stainless-steel freezer shelves (3 adjustable; 1 stationary)
- 2 freezer drawers with adjustable dividers
- Automatic ice maker with removable ice container

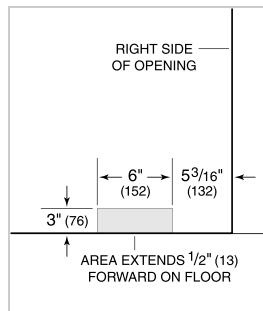
**PRODUCT SPECIFICATIONS**

Model	648PRO
Dimensions	48"W x 84"H x 24"D
Refrigerator Capacity	18.4 cu. ft.
Freezer Capacity	11.7 cu. ft.
Door Clearance	30 3/4"
Drawer Clearance	14 1/2"
Weight	880 lbs
Electrical Supply	115 VAC, 60 Hz
Electrical Service	15 amp dedicated circuit
Plumbing Supply	1/4" OD copper, braided stainless steel or PEX tubing
Plumbing Pressure	35 - 120 psi
Receptacle	3-prong grounding-type

**ELECTRICAL**

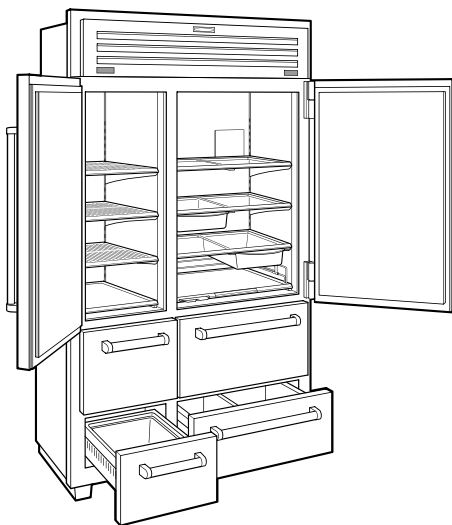


**PLUMBING**



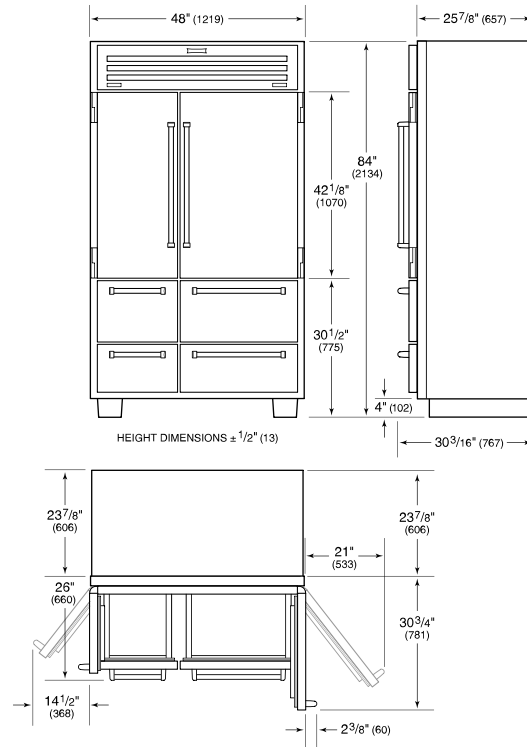
NOTE: Dimensions in parenthesis are in millimeters unless otherwise specified

**INTERIOR VIEW**

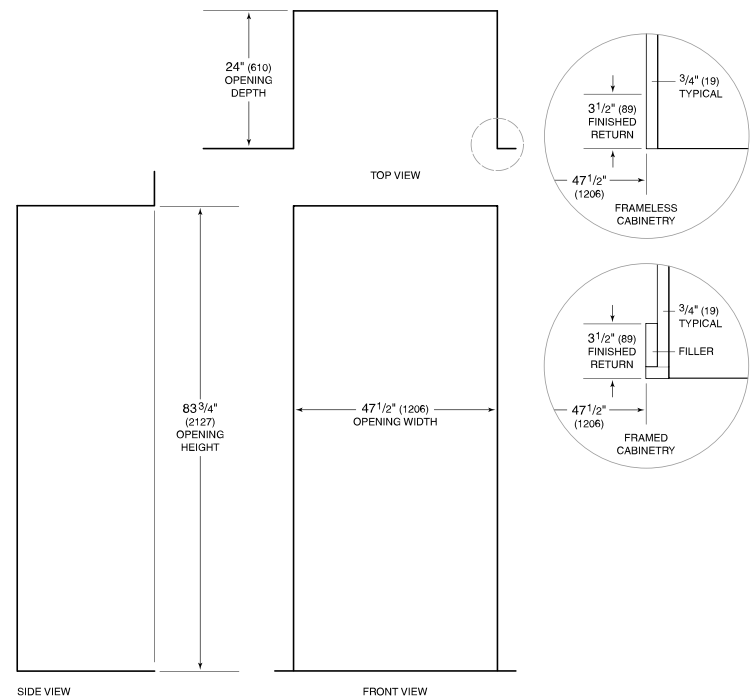


This illustration is intended for interior reference only and may not represent the exterior of the model being specified.

**DIMENSIONS**



**STANDARD INSTALLATION**



NOTE: 3 1/2" (89) finished returns will be visible and should be finished to match cabinetry.