

DEU2450R



## FEATURES

Fully customizable exterior, accepting custom panels for an integrated look within cabinetry or stainless steel accessory panels and handles to coordinate other Sub-Zero, Wolf, and Cove appliances

Seamlessly integrating anywhere, undercounter refrigeration adds comfort to your master suite, creates a corner for libations in the study, provides subtle storage for delicate cosmetics—the options are endless

Flexible storage options with one stationary and two adjustable shelves

Two on-door shelves easily accommodate a wide variety of condiments and beverages, with ample room for larger two-liter bottles

Intuitive, on-door touch control panel offers ergonomic, convenient access to settings

Cleanup is simple with nano-coated, spill-proof shelves

Clear storage drawer provides quick access to essential items

Offers precise temperature control within one degree of setpoint, preserving dairy, produce, craft beer, and other perishables at their optimal temperature

Soft-on LED lighting fully illuminates the interior when the door is open

Wi-Fi enabled features enable remote temperature control, provide important door-ajar notifications, and assist with remote service diagnostics—all from your mobile device

## ACCESSORIES

Custom Panel Lock Kit

Dual Install Kit - Handle-to-Drawer

Dual Install Kit - Handle-to-Handle

Outdoor Stainless Steel Solid Door Panel With Lock - Pro Handle, Left Hinge

Outdoor Stainless Steel Solid Door Panel With Lock - Pro Handle, Right Hinge

Pro Handle

Stainless Steel Dual Kickplate

Tubular Handle

Stainless Steel Solid Door Panels

Accessories are available through an authorized dealer. For local dealer information, visit [subzero-wolf.com/locator](http://subzero-wolf.com/locator).



## HANDLE ACCESSORIES

PRO



TUBULAR



## PRODUCT DETAILS

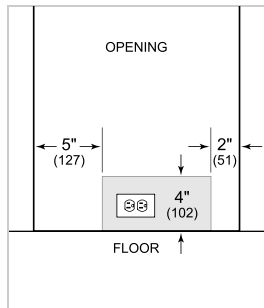
### REFRIGERATOR

- One stationary and two adjustable shelves
- Two on-door shelves
- Clear storage drawer

**PRODUCT SPECIFICATIONS**

Model	DEU2450R
Dimensions	24"W x 34 1/2"H x 23 1/8"D
Door Clearance	26 1/2"
Weight	133 lbs
Refrigerator Capacity	5.4 cu. ft.
Electrical Supply	115 VAC, 60 Hz
Electrical Service	15 amp dedicated circuit
Receptacle	3-prong grounding-type

**ELECTRICAL**

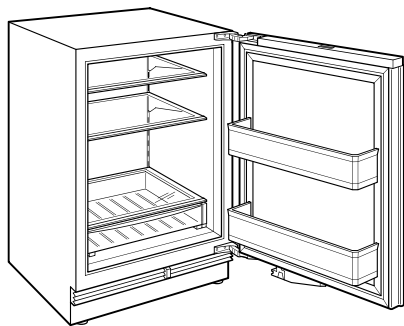


**NOTE:** The electrical outlet must be positioned with the grounding prong to the right of the thinner blades.

**PANEL SPECIFICATIONS** For complete panels specifications including width/height, weight requirements and thickness requirements visit [subzero-wolf.com/reveal](http://subzero-wolf.com/reveal).

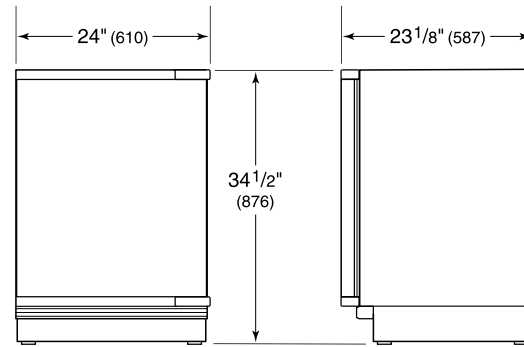
**NOTE:** Dimensions in parenthesis are in millimeters unless otherwise specified

**INTERIOR VIEW**

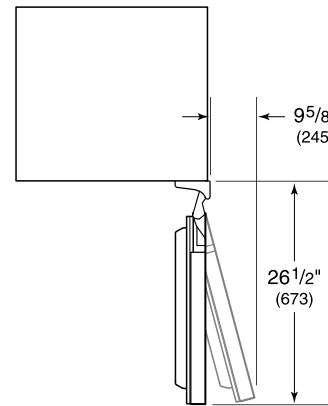


This illustration is intended for interior reference only and may not represent the exterior of the model being specified.

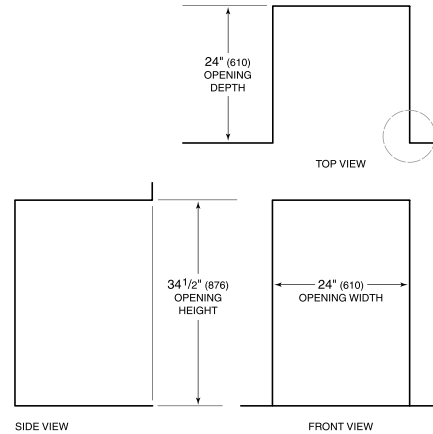
**DIMENSIONS**



HEIGHT DIMENSIONS ± 1/2" (13)



**STANDARD INSTALLATION**



**NOTE:** 3 1/2" (89) finished returns will be visible and should be finished to match cabinetry.

