

UC-24C



## FEATURES

Accepts custom panels for an integrated look within cabinetry or stainless-steel accessory panels and handles to match other Sub-Zero, Wolf, and Cove products\*

Controls temperature within one degree of setpoint

Locks in cold air to ensure freshness with magnetic door seals

Store eight 750-ml wine bottles on each smooth roller-glide shelf

Keeps dairy, produce, and other perishables at their optimal temperature

Control brightness of interior

Gain storage flexibility with an adjustable shelf

Locate items quickly with utility bins

## ACCESSORIES

Dual Installation Kit

Stainless Steel Door Panel with Pro Handle

Stainless Steel Door Panel with Tubular Handle

Undercounter Black Dual Kickplate

Undercounter Door Lock Kit

Undercounter Dual Lock Kit

Undercounter Silver Dual Kickplate

Undercounter Silver Kickplate

Stainless Steel Pro Handles

Stainless Steel Tubular Handles

Accessories are available through an authorized dealer.  
For local dealer information, visit [subzero-wolf.com/locator](https://subzero-wolf.com/locator).



## HANDLE ACCESSORIES

PRO



TUBULAR



## PRODUCT DETAILS

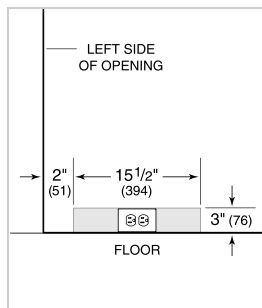
### REFRIGERATOR

- 1 adjustable wine storage rack
- 1 adjustable glass shelf
- 1 door storage bin

**PRODUCT SPECIFICATIONS**

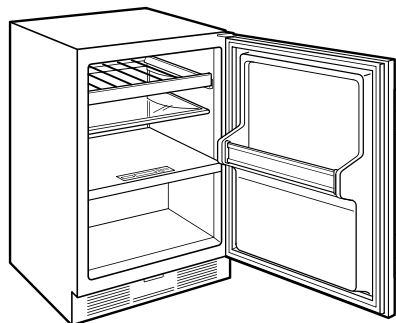
Model	UC-24C
Dimensions	23 7/8"W x 34"H x 24"D
Refrigerator Capacity	3.6 cu. ft.
Freezer Capacity	1.1 cu. ft.
Door Clearance	23 3/8"
Electrical Supply	115 VAC, 60 Hz
Electrical Service	15 amp dedicated circuit
Wine Storage Capacity	8 Bottles

**ELECTRICAL**



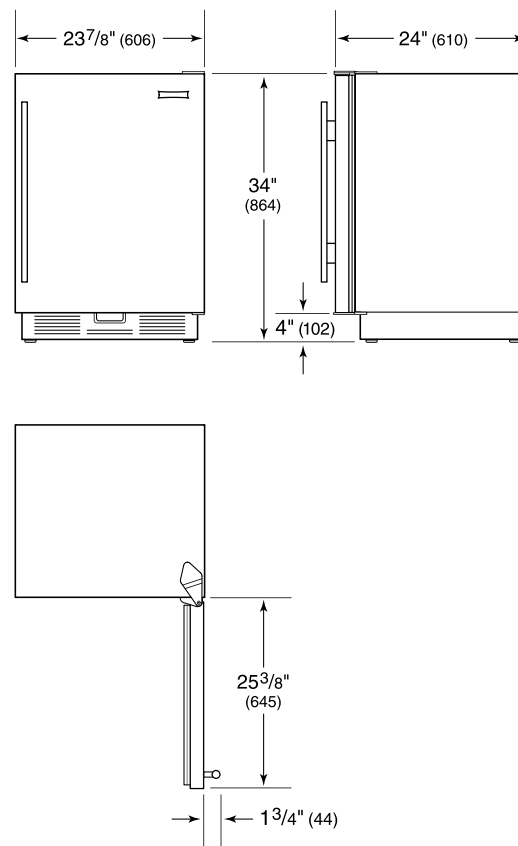
NOTE: Dimensions in parenthesis are in millimeters unless otherwise specified

**INTERIOR VIEW**

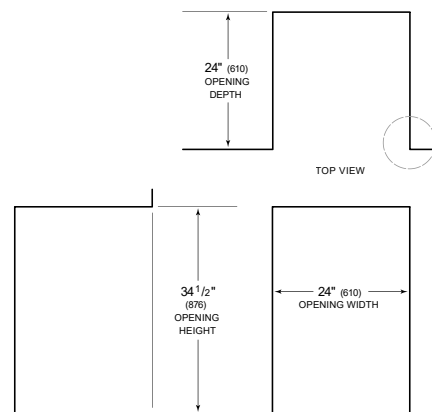


This illustration is intended for interior reference only and may not represent the exterior of the model being specified.

**DIMENSIONS**



**STANDARD INSTALLATION**



NOTE: 3 1/2" (89) finished returns will be visible and should be finished to match cabin

