

CW24/S



FEATURES

Warms up to 40 cups at once

Conceal the interior control panel

Remove the non-slip mat for cleaning

Push to open

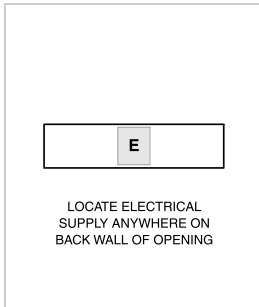
Choose from black glass or stainless-steel options



PRODUCT SPECIFICATIONS

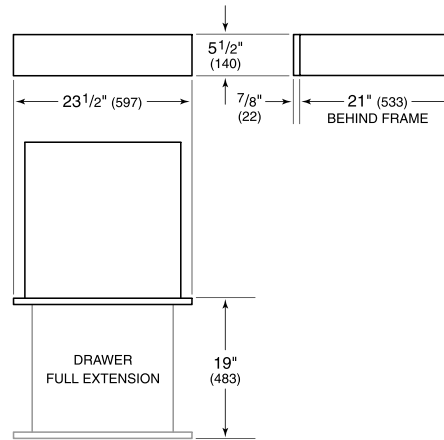
Model	CW24/S
Dimensions	23 1/2"W x 5 1/2"H x 21"D
Capacity	0.8 cu. ft.
Weight	45 lbs
Electrical Supply	120 VAC, 60 Hz
Electrical Service	10 amp dedicated circuit
Power Cord Length	3 Feet
Receptacle	3-prong grounding-type

ELECTRICAL

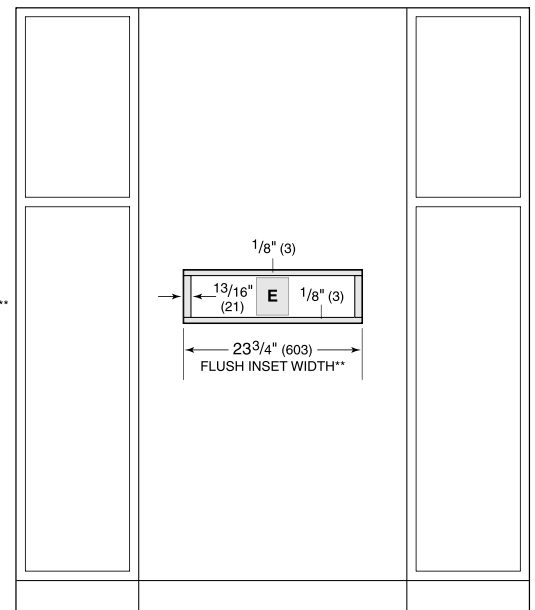
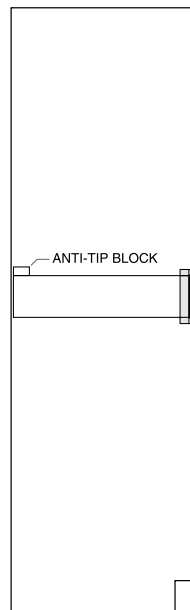
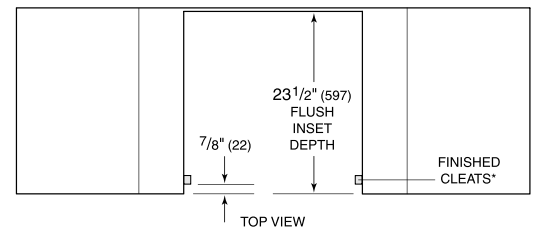


NOTE: Dimensions in parenthesis are in millimeters unless otherwise specified

DIMENSIONS



FLUSH INSTALLATION



*Will be visible and should be finished to match cabinetry.
 **Dimension provides minimum reveals.