

**EC24/B**

**FEATURES**

Make all your favorite coffee drinks like a professional; brewed coffee, espresso, cappuccino, and more

Use whole-bean or pre-ground coffee

Brew servings from one ounce to 12 ounces

Eliminates the need for plumbing with a built-in water tank

Grind with a 13-setting built-in grinder

Water spout dispenses hot water for tea

**ACCESSORIES**

30" Contemporary Trim Kit - Vertical, Horizontal or Single Installation

30" Professional Trim Kit - E Series - Horizontal Installation

30" Professional Trim Kit - E Series - Vertical or Single Installation

30" Professional Trim Kit -M Series - Horizontal Installation

30" Professional Trim Kit -M Series - Vertical or Single Installation

30" Transitional Trim Kit - E Series - Horizontal Installation

30" Transitional Trim Kit - E Series - Vertical or Single Installation

30" Transitional Trim Kit - M Series - Horizontal Installation

30" Transitional Trim Kit - M Series - Vertical or Single Installation

Care Kit

Descaling Solution

Accessories available through an authorized dealer.  
For local dealer information, visit [subzero-wolf.com/locator](http://subzero-wolf.com/locator).



**30" TRIM OPTIONS**



E SERIES TRANSITIONAL



E SERIES PROFESSIONAL



M SERIES TRANSITIONAL



M SERIES PROFESSIONAL

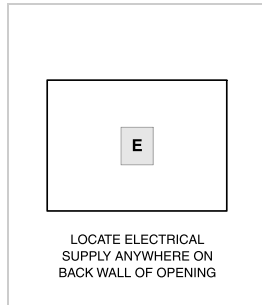


M AND E SERIES CONTEMPORARY

**PRODUCT SPECIFICATIONS**

Model	EC24/B
Dimensions	23 1/2"W x 17 7/8"H x 15 1/2"D
Weight	60 lbs
Electrical Supply	120 VAC, 60 Hz
Electrical Service	15 amp dedicated circuit
Power Cord Length	6 Feet
Receptacle	3-prong grounding-type

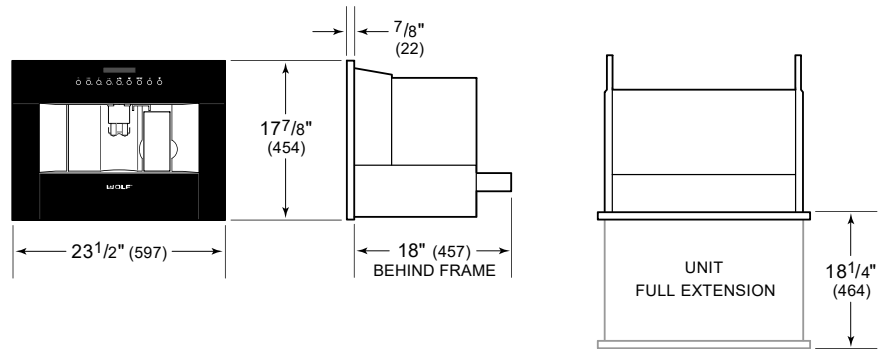
**ELECTRICAL**



**INSTALLATIONS WITH ACCESSORY TRIM** Accessory trim may affect overall product dimensions and opening dimensions. Refer to Reveal for more information: [subzero-wolf.com/reveal](http://subzero-wolf.com/reveal)

**NOTE:** Dimensions in parenthesis are in millimeters unless otherwise specified

**DIMENSIONS**



**FLUSH INSTALLATION**



\*Will be visible and should be finished to match cabinetry.  
 \*\*Dimension provides minimum reveals.