

EC24/S

FEATURES

Make all your favorite coffee drinks like a professional; brewed coffee, espresso, cappuccino, and more

Use whole-bean or pre-ground coffee

Brew servings from one ounce to 12 ounces

Eliminates the need for plumbing with a built-in water tank

Grind with a 13-setting built-in grinder

Water spout dispenses hot water for tea

ACCESSORIES

Care Kit

Descaling Solution

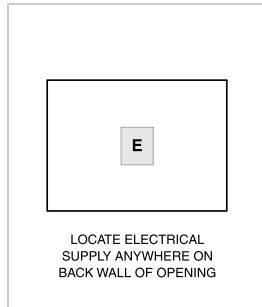
Accessories available through an authorized dealer.
For local dealer information, visit [subzero-wolf.com/locator](https://www.subzero-wolf.com/locator).



PRODUCT SPECIFICATIONS

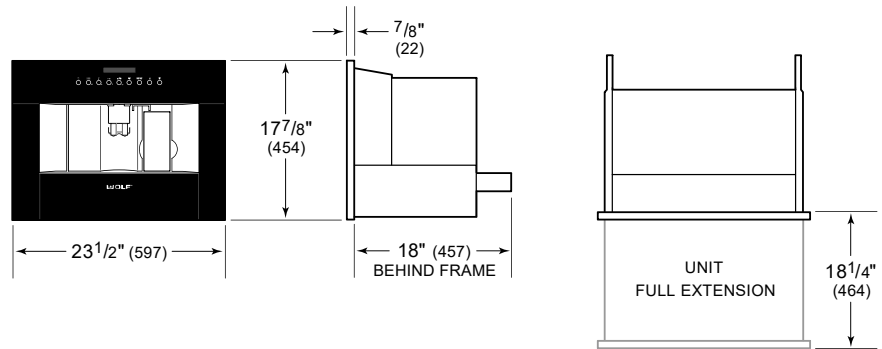
Model	EC24/S
Dimensions	23 1/2"W x 17 7/8"H x 15 1/2"D
Weight	60 lbs
Electrical Supply	120 VAC, 60 Hz
Electrical Service	15 amp dedicated circuit
Power Cord Length	6 Feet
Receptacle	3-prong grounding-type

ELECTRICAL



NOTE: Dimensions in parenthesis are in millimeters unless otherwise specified

DIMENSIONS



FLUSH INSTALLATION



*Will be visible and should be finished to match cabinetry.
 **Dimension provides minimum reveals.