

## EC24/S

### FEATURES

Make all your favorite coffee drinks like a professional; brewed coffee, espresso, cappuccino, and more

Use whole-bean or pre-ground coffee

Brew servings from one ounce to 12 ounces

Eliminates the need for plumbing with a built-in water tank

Grind with a 13-setting built-in grinder

Water spout dispenses hot water for tea

### ACCESSORIES

Care Kit

Descaling Solution

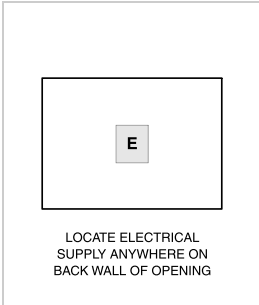
Accessories available through an authorized dealer.  
For local dealer information, visit [subzero-wolf.com/locator](https://subzero-wolf.com/locator).



**PRODUCT SPECIFICATIONS**

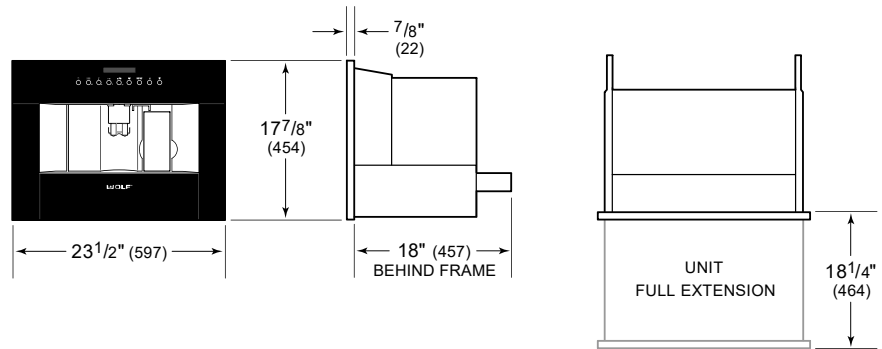
Model	EC24/S
Dimensions	23 1/2"W x 17 7/8"H x 15 1/2"D
Weight	60 lbs
Electrical Supply	120 VAC, 60 Hz
Electrical Service	15 amp dedicated circuit
Power Cord Length	6 Feet
Receptacle	3-prong grounding-type

**ELECTRICAL**



**NOTE:** Dimensions in parenthesis are in millimeters unless otherwise specified

**DIMENSIONS**



**STANDARD INSTALLATION**

