

IR365TE/S/TH



FEATURES

Control heat and airflow expertly as dual convection creates just the right cooking environment for everything from Cornish hens to cherry pie to butternut squash

Anticipate high heat on-demand as well as the most delicate of lows

Achieve faster boils and sears through a four-zone induction power-boost

Transform two burners into one larger burner with the bridge feature

Breathe a bit easier with helpful safety measures, including cookware-sensing burners that deactivate when an induction-compatible pan is not in place

Operate easily with a control panel that rotates out of sight when not in use

Assures predictably delicious results with a variety of modes including Convection Roast, Proof, and Dehydrate

Leave nothing to chance. Our temperature probe alerts you when your dish has reached the desired temperature for worry-free, delicious results

Includes options such as self-clean, delayed start, timed cook, Sabbath mode, and more

Find your kitchen style with a choice of iconic red, black, or brushed stainless control knobs

ACCESSORIES

30" Broiler Pan

36" Bake Stone Kit

36" Full-extension ball-bearing oven rack

36" Stainless Steel Kickplate

5" Stainless Steel Riser

Dehydration Kit

Filler Trim

Oven Rack Set (3)

Temperature Probe

Induction Range Knobs

Rear Caster Covers

Front Leg Extension Covers

Accessories available through an authorized dealer.

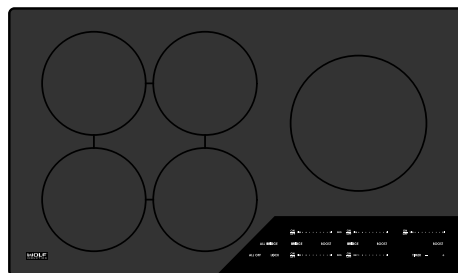
For local dealer information, visit subzero-wolf.com/locator.



KNOB OPTIONS



TOP CONFIGURATION



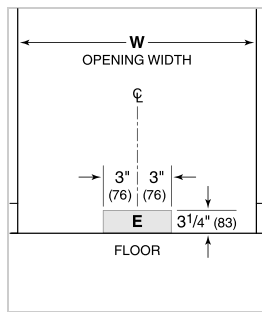
COOKTOP SPECIFICATIONS

- Five induction zones
- 2 - 2,100 W element with 3,000 W boost
- 1 - 2,600 W element with 3,700 W boost
- 2 - 2,100 W element

PRODUCT SPECIFICATIONS

Model	IR365TE/S/TH
Dimensions	35 7/8"W x 35 7/8"H x 29 1/2"D
Oven 1 Interior Dimensions	30"W x 16 1/2"H x 19"D
Oven 1 Usable Capacity	3.5 cu. ft.
Oven 1 Overall Capacity	5.4 cu. ft.
Door Clearance	19 1/2"
Weight	457 lbs
Electrical Supply	240/208 VAC, 60 Hz
Electrical Service	50 amp dedicated service

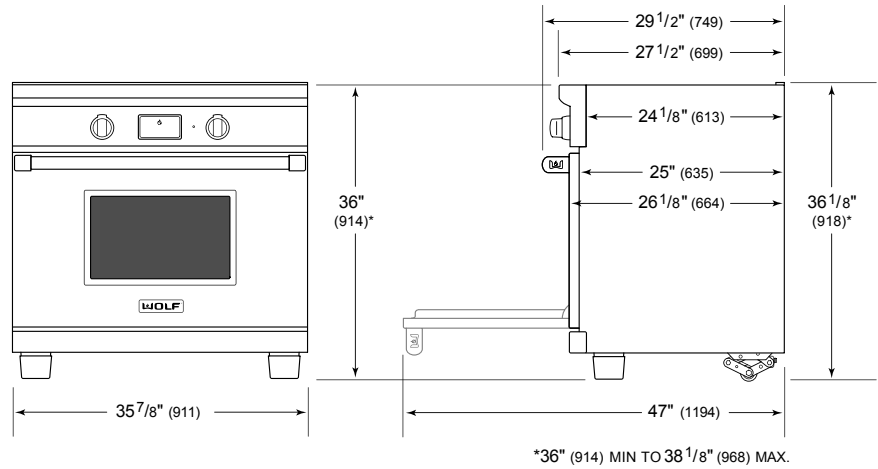
ELECTRICAL



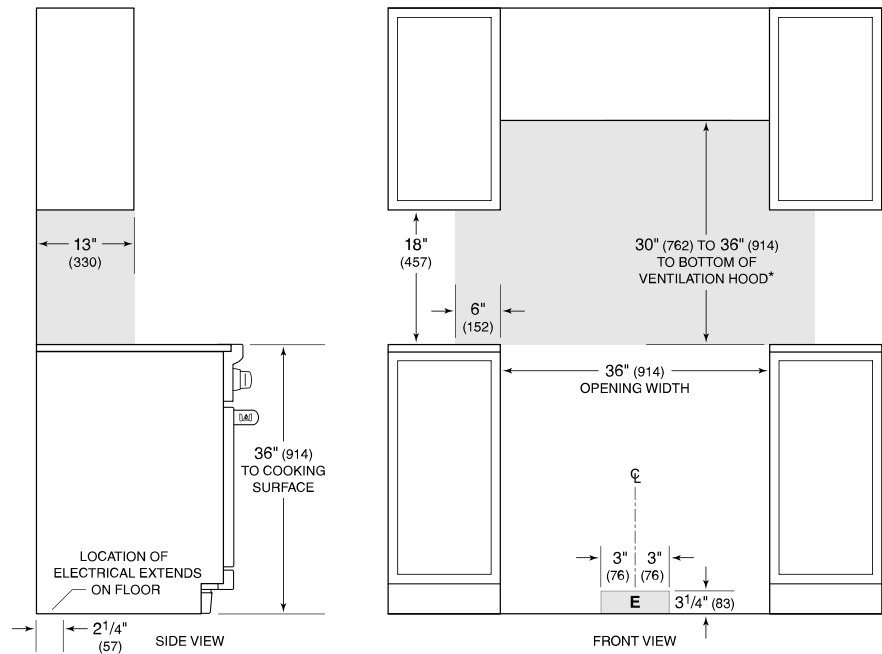
IMPORTANT NOTE: Adjacent countertops must be at least 35 7/8" for flush installation to top of unit.

NOTE: Dimensions in parenthesis are in millimeters unless otherwise specified

DIMENSIONS



STANDARD INSTALLATION



**Without ventilation hood, 36" (914) minimum clearance countertop to combustible materials.*

NOTE: Shaded area above countertop indicates minimum clearance to combustible surfaces, combustible materials cannot be located within this area.

For island installation, 12" (305) minimum clearance back of range to combustible rear wall above countertop.