

SO30F/S



FEATURES

ACCESSORIES

30" baking sheet

Set of two standard oven racks

Accessories available through an authorized dealer.

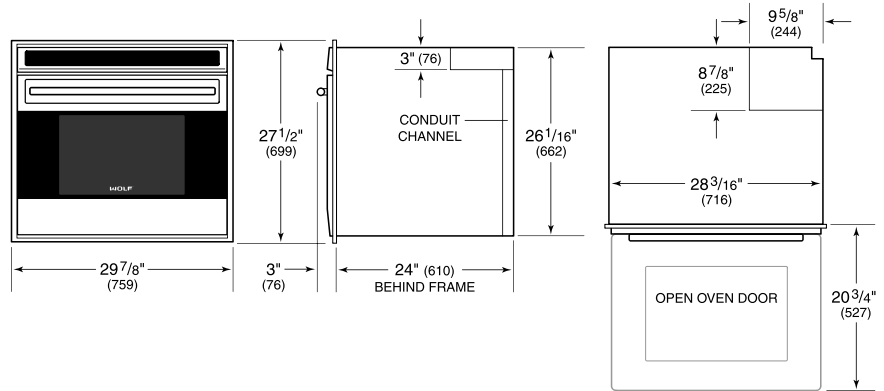
For local dealer information, visit subzero-wolf.com/locator.



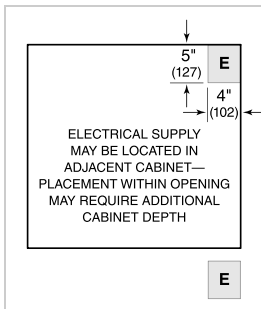
PRODUCT SPECIFICATIONS

Model	SO30F/S
Dimensions	29 7/8"W x 27 1/2"H x 24"D
Oven 1 Interior Dimensions	25"W x 16 1/2"H x 19"D
Overall Capacity	4.5 cu. ft.
Usable Capacity	2.8 cu. ft.
Door Clearance	20 3/4"
Weight	273 lbs
Electrical Supply	240/208 VAC, 60 Hz
Electrical Service	30 amp circuit
Conduit Length	4 Feet

DIMENSIONS

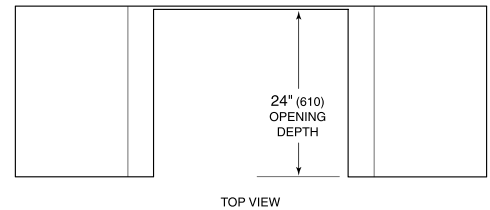


ELECTRICAL

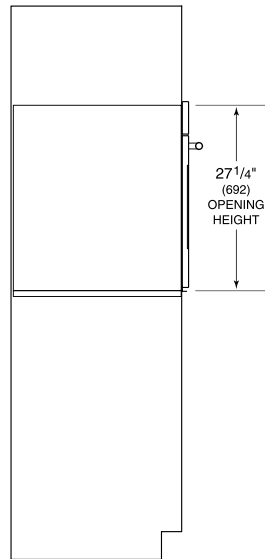


NOTE: Dimensions in parenthesis are in millimeters unless otherwise specified

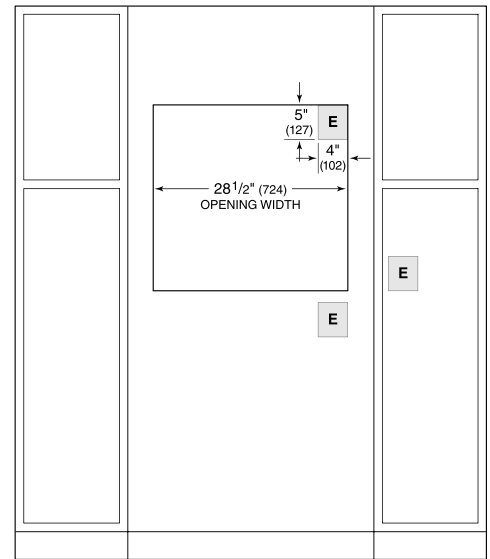
STANDARD INSTALLATION



TOP VIEW



SIDE VIEW



FRONT VIEW

NOTE: Location of electrical supply within opening may require additional cabinet depth.