

DEU2450RO



FEATURES

Nano coating lines the perimeter of each glass shelf to create a hydrophobic barrier that helps contain spills

Control your appliance from wherever you are using our convenient Owner's App—adjust temperatures, be notified of a door left ajar, or receive remote service diagnostics

Accepts outdoor-rated stainless-steel accessory panels and handles to coordinate other Sub-Zero and Wolf outdoor appliances

ACCESSORIES

Custom Panel Lock Kit

Stainless Steel Dual Kickplate - 48"

Stainless Steel Dual Wide Kickplate

Outdoor Stainless Steel Solid Door Panels

Stainless Steel Solid Door Panels

Stainless Steel Dual Kickplates

Accessories are available through an authorized dealer.
For local dealer information, visit subzero-wolf.com/locator.



HANDLE ACCESSORIES

PRO



TUBULAR



PRODUCT DETAILS

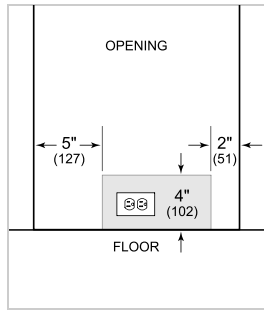
REFRIGERATOR

- One stationary and two adjustable shelves
- Clear storage drawer

PRODUCT SPECIFICATIONS

Model	DEU2450RO
Dimensions	24"W x 34 1/2"H x 23 1/8"D
Refrigerator Capacity	5.4 cu. ft.
Weight	153 lbs
Electrical Supply	115 VAC, 60 Hz
Electrical Service	15 amp dedicated circuit
Receptacle	3-prong grounding-type, GFCI

ELECTRICAL

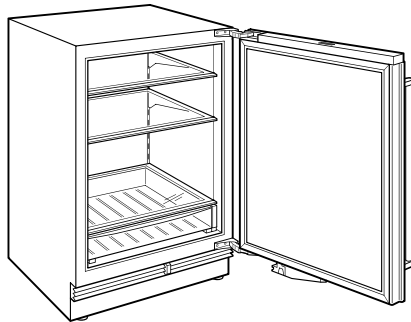


NOTE: The electrical outlet must be positioned with the grounding prong to the right of the thinner blades.

PANEL SPECIFICATIONS For complete panels specifications including width/height, weight requirements and thickness requirements visit subzero-wolf.com/reveal.

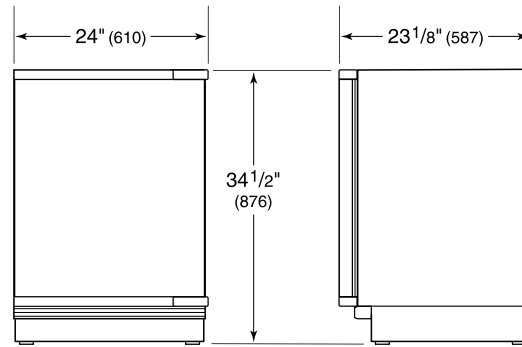
NOTE: Dimensions in parenthesis are in millimeters unless otherwise specified

INTERIOR VIEW

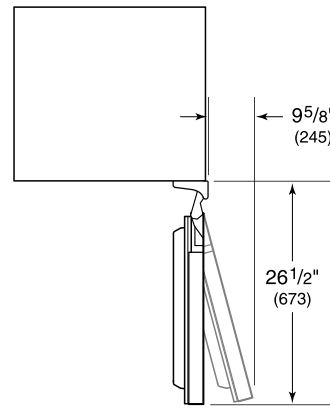


This illustration is intended for interior reference only and may not represent the exterior of the model being specified.

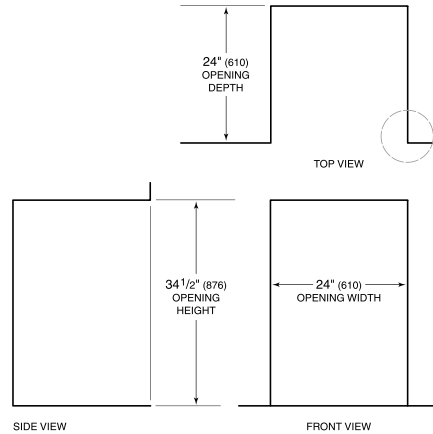
DIMENSIONS



HEIGHT DIMENSIONS ± 1/2" (13)



STANDARD INSTALLATION



NOTE: 3 1/2" (89) finished returns will be visible and should be finished to match cabinetry.

